

# Pegler Valve

Forged brass foot valve

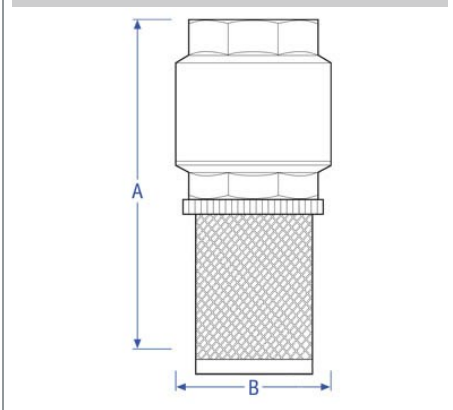
1064 Foot valve



### General Information

Size	Pattern No.	Pack 1 Qty	Pack 2 Qty	Code	Barcode	Price (£) each ex VAT
1/2"	1064 PT	10	0	<a href="#">124271</a>	5013866036422	£15.43
3/4"	1064 PT	10	0	<a href="#">124272</a>	5013866036439	£20.37
1"	1064 PT	10	0	<a href="#">124273</a>	5013866036446	£27.45
1.1/4"	1064 PT	6	0	<a href="#">124274</a>	5013866036453	£45.29
1.1/2"	1064 PT	4	0	<a href="#">124275</a>	5013866036460	£61.88
2"	1064 PT	2	0	<a href="#">124276</a>	5013866036477	£93.85
2.1/2"	1064 PT	1	0	<a href="#">124277</a>	5022050547705	£209.73
3"	1064 PT	1	0	<a href="#">124278</a>	5022050547712	£331.14
4"	1064 PT	1	0	<a href="#">124279</a>	5022050547729	£578.45
1/2"	1064 AT	10	0	<a href="#">124291</a>	5022050228567	£15.43
3/4"	1064 AT	10	0	<a href="#">124292</a>	5022050228673	£20.37
1"	1064 AT	10	0	<a href="#">124293</a>	5022050228772	£27.45
1.1/4"	1064 AT	6	0	<a href="#">124294</a>	5022050228888	£45.29
1.1/2"	1064 AT	4	0	<a href="#">124295</a>	5022050228970	£61.88
2"	1064 AT	2	0	<a href="#">124296</a>	5022050229038	£93.85

1064 Foot valve



### Dimensions

Code	Description	A	B
124271	1/2" 1064 PT BRASS FOOT/FILTER VALVE	83.5	32
124272	3/4" 1064 PT BRASS FOOT/FILTER VALVE	94.5	37
124273	1" 1064 PT BRASS FOOT/FILTER VALVE	105.5	45
124274	1 1/4" 1064 PT BRASS FOOT/FILTER VALVE	118	55.5
124275	1 1/2" 1064 PT BRASS FOOT/FILTER VALVE	135	67
124276	2" 1064 PT BRASS FOOT/FILTER VALVE	157	78.5
124277	2 1/2" 1064 PT BRASS FOOT/FILTER VALVE	179	98
124278	3" 1064 PT BRASS FOOT/FILTER VALVE	200.5	112
124279	4" 1064 PT BRASS FOOT/FILTER VALVE	218	138
124291	1/2" 1064 AT BRASS FOOT/FILTER VALVE	83	34
124292	3/4" 1064 AT BRASS FOOT/FILTER VALVE	96	41.5
124293	1" 1064 AT BRASS FOOT/FILTER VALVE	107	47
124294	1.1/4" 1064 AT BRASS FOOT/FILTER	120	58.5
124295	1.1/2" 1064 AT BRASS FOOT/FILTER VALVE	136	69
124296	2" 1064 AT BRASS FOOT/FILTER VALVE	159	84

Pegler Yorkshire reserve the right to change specifications

### Pressure and Temperature

Description	Minimum Operating Pressure (bar)	Maximum Cold Working Pressure (bar)	Maximum Hot Working Pressure (bar)
1064 Foot Valve	0.002 - 0.04 bar	8.0 bar at temperatures up to 90oC	Not Suitable for Maximum Hot Working Pressure

### Care and Maintenance

### Care

No regular aesthetic care is required for this product

### Maintenance

A regular maintenance program is the most efficient method of ensuring longer term operational efficiency of the selected valve. Such a program would need to include a risk assessment and a planned procedure of how the maintenance will be carried out. The possibility of operational limits being exceeded and the potential hazards ensuring must be considered as part of this assessment. This should be implemented to include visual checks on the valve's condition and any development of unforeseen conditions, which could lead to failure. The correct fitting tools and equipment should be used for valve maintenance work. Separate means of draining the pipe work must be provided when carrying out any maintenance to valves. Where there may be any system debris this could be collected and /or filtered by installation of the appropriate protective device.

For further help please contact your local engineer.

If your product is under warranty please contact the Service Support Team on: 0800 1560050

## Regulations

### Regulations

#### THE PRESSURE EQUIPMENT DIRECTIVE 97/23/EC and CE MARKING

The Pressure Equipment Regulations 1999 (SI 1999/2001) have now been introduced into United Kingdom law.

Valves with a maximum allowable pressure greater than 0.5 bar are covered by these new Regulations. Valves are categorised according to their maximum working pressure, size and rising level of hazard. The level of hazard varies according to the fluid being carried. Fluids are classified as Group 1, dangerous fluids or Group 2, all other fluids including steam. The Categories designated are SEP (sound engineering practice). Valves up to and including 25mm (1") are designated SEP regardless of the fluid group. Those identified as having increased hazard are Categorised as, I, II, III or IV. All valves designated as SEP do not bear the CE mark nor require a Declaration of Conformity. Categories I, II, III or IV carry the CE mark and require a Declaration of Conformity. Valves classified from the piping chart would not be included in Category IV.

#### Size Pattern No. Code PED Categorisation

1/2"	1064 PT	124271 -
3/4"	1064 PT	124272 -
1"	1064 PT	124273 -
1.1/4"	1064 PT	124274 -
1.1/2"	1064 PT	124275 -
2"	1064 PT	124276 -
2.1/2"	1064 PT	124277 -
3"	1064 PT	124278 -
4"	1064 PT	124279 -
1/2"	1064 AT	124291 -
3/4"	1064 AT	124292 -
1"	1064 AT	124293 -
1.1/4"	1064 AT	124294 -
1.1/2"	1064 AT	124295 -
2"	1064 AT	124296 -

Pegler Yorkshire reserve the right to change specifications

## Materials

Component	Material
Pin	ABS
Pin Washer	ABS
Body	Brass
Sealing Washer	EPDM Rubber
Spring	Stainless Steel 18/8
Filter	Stainless Steel 18/8
Filter/Body Connection	ABS

## Flange Data

Flange Size Code	Flange Diameter (mm)	Pitch Circle Diameter (mm)	No of Bolts	Bolt Diameter (mm)	Hole Diameter (mm)	Raised Face Diameter (mm)	Raised Face Height (mm)	Thickness of Flange (mm)
------------------	----------------------	----------------------------	-------------	--------------------	--------------------	---------------------------	-------------------------	--------------------------

## Technical Suitability

**Steam Water Oil Air Gas Inert Gas Combustible† Gas Corrosive†† Gas Oxygen**

Pegler Yorkshire reserve the right to change specifications

### Gas application guide

Class 1. INERT Air, argon, carbon dioxide, helium, nitrogen

Class 2. COMBUSTIBLE Hydrogen, methane, natural gas, town gas

Class 3. CORROSIVE Chlorine, sulphur dioxide Class 4. OXYGEN

Class 1. INERT Air, argon, carbon dioxide, helium, nitrogen

† Valves are suitable for British Gas Applications Family Gases 1, 2 and 3.

†† Suitable in applications where moisture is completely absent.

#### 1064 Foot valve

Spare Key	Description	Code	Barcode	Date From	Date To	Price (£) ex VAT
1						
1	FI 5 FILTER - DISCONTINUED	850991	5013866063770	01/01/1900	10/04/2009	£0.00
1	FI 6 FILTER - DISCONTINUED	850992	5013866063787	01/01/1900	10/04/2009	£0.00
1	FI 7 FILTER	850993	5013866063794	01/01/1900	10/04/2009	£0.00
1	FI 8 FILTER - DISCONTINUED	850994	5013866063800	01/01/1900	10/04/2009	£0.00
1	FI 9 FILTER - DISCONTINUED	850995	5013866063817	01/01/1900	10/04/2009	£0.00
1	FI 10 FILTER - DISCONTINUED	850996	5013866063824	01/01/1900	10/04/2009	£0.00
1	FI 11 FILTER - DISCONTINUED	850997	5013866063831	01/01/1900	10/04/2009	£0.00
1	FI 12 FILTER - DISCONTINUED	850998	5013866063848	01/01/1900	10/04/2009	£0.00
1	FI 13 FILTER - DISCONTINUED	850999	5013866063855	01/01/1900	10/04/2009	£0.00
1	FI 5 FILTER - DISCONTINUED	850991	5013866063770	01/01/1900	10/04/2009	£0.00
1	FI 6 FILTER - DISCONTINUED	850992	5013866063787	01/01/1900	10/04/2009	£0.00
1	FI 7 FILTER	850993	5013866063794	01/01/1900	10/04/2009	£0.00
1	FI 8 FILTER - DISCONTINUED	850994	5013866063800	01/01/1900	10/04/2009	£0.00
1	FI 9 FILTER - DISCONTINUED	850995	5013866063817	01/01/1900	10/04/2009	£0.00
1	FI 10 FILTER - DISCONTINUED	850996	5013866063824	01/01/1900	10/04/2009	£0.00
1	FI 11 FILTER - DISCONTINUED	850997	5013866063831	01/01/1900	10/04/2009	£0.00
1	FI 12 FILTER - DISCONTINUED	850998	5013866063848	01/01/1900	10/04/2009	£0.00
1	FI 13 FILTER - DISCONTINUED	850999	5013866063855	01/01/1900	10/04/2009	£0.00