

# Pegler Valve

Forged brass full way gate valve. BS 5154 PN20 Series B.

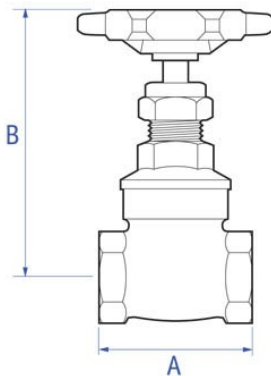
1068 Gate valve



## General Information

Size	Pattern No.	Pack 1 Qty	Pack 2 Qty	Code	Barcode	Price (£) each ex VAT
1/2"	1068	10	0	<a href="#">203007</a>	5013866014895	£34.52
3/4"	1068	10	0	<a href="#">203008</a>	5013866014901	£42.62
1"	1068	5	0	<a href="#">203009</a>	5013866014918	£64.12
1.1/4"	1068	5	0	<a href="#">203010</a>	5013866014925	£96.48
1.1/2"	1068	2	0	<a href="#">203011</a>	5013866014932	£138.94
2"	1068	2	0	<a href="#">203012</a>	5013866014949	£192.20
2.1/2"	1068	1	0	<a href="#">203013</a>	5022050545695	£314.59
3"	1068	1	0	<a href="#">203014</a>	5022050545701	£457.65
4"	1068	1	0	<a href="#">203015</a>	5022050545718	£662.43
1/2"	1068 AT	10	0	<a href="#">203027</a>	5022050233929	£34.52
3/4"	1068 AT	10	0	<a href="#">203028</a>	5022050233967	£42.62
1"	1068 AT	5	0	<a href="#">203029</a>	5022050234001	£64.12
1.1/4"	1068 AT	5	0	<a href="#">203030</a>	5022050234049	£96.48
1.1/2"	1068 AT	2	0	<a href="#">203031</a>	5022050234087	£138.94
2"	1068 AT	2	0	<a href="#">203032</a>	5022050234124	£192.20
2.1/2"	1068 AT	1	0	<a href="#">203033</a>	5022050566805	£314.59
3"	1068 AT	1	0	<a href="#">203034</a>	5022050566812	£457.65
4"	1068 AT	1	0	<a href="#">203035</a>	5022050566829	£662.43
1/2"	1068 PT	10	0	<a href="#">203047</a>	5013866014970	£34.52
3/4"	1068 PT	10	0	<a href="#">203048</a>	5013866014987	£42.62
1"	1068 PT	5	0	<a href="#">203049</a>	5013866014994	£64.12
1.1/4"	1068 PT	5	0	<a href="#">203050</a>	5013866015007	£96.48
1.1/2"	1068 PT	2	0	<a href="#">203051</a>	5013866015014	£138.94
2"	1068 PT	2	0	<a href="#">203052</a>	5013866015021	£192.20
2.1/2"	1068 PT	1	0	<a href="#">203053</a>	5022050545725	£314.59
3"	1068 PT	1	0	<a href="#">203054</a>	5022050545732	£457.65
4"	1068 PT	1	0	<a href="#">203055</a>	5022050576309	£662.43

1068 Gate valve



## Dimensions

Code	Description	A	B
<a href="#">203007</a>	1/2" 1068 BRASS GATE VALVE	52	85 0.32
<a href="#">203008</a>	3/4" 1068 BRASS GATE VALVE	56	95 0.46
<a href="#">203009</a>	1" 1068 BRASS GATE VALVE	65	110 0.69
<a href="#">203010</a>	1.1/4" 1068 BRASS GATE VALVE	73	125 1.03
<a href="#">203011</a>	1.1/2" 1068 BRASS GATE VALVE	76	145 1.40
<a href="#">203012</a>	2" 1068 BRASS GATE VALVE	90	170 2.28
<a href="#">203013</a>	2.1/2" 1068 BRASS GATE VALVE	102	205 3.68
<a href="#">203014</a>	3" 1068 BRASS GATE VALVE	114	240 5.42
<a href="#">203015</a>	4" 1068 BRASS GATE VALVE	134	290 10.59
<a href="#">203027</a>	1/2" 1068 AT BRASS GATE VALVE	52	85 0.32
<a href="#">203028</a>	3/4" 1068 AT BRASS GATE VALVE	56	95 0.46
<a href="#">203029</a>	1" 1068 AT BRASS GATE VALVE	65	110 0.69
<a href="#">203030</a>	1.1/4" 1068 AT BRASS GATE VALVE	73	125 1.03
<a href="#">203031</a>	1.1/2" 1068 AT BRASS GATE VALVE	76	145 1.40
<a href="#">203032</a>	2" 1068 AT BRASS GATE VALVE	90	170 2.28
<a href="#">203033</a>	2.1/2" 1068 AT BRASS GATE VALVE	102	205 3.68
<a href="#">203034</a>	3" 1068 AT BRASS GATE VALVE	114	240 5.42
<a href="#">203035</a>	4" 1068 AT BRASS GATE VALVE	134	290 10.59

Code	Description	A	B
203047	1/2" 1068 PT BRASS GATE VALVE	52	85 0.32
203048	3/4" 1068 PT BRASS GATEVALVE	56	95 0.46
203049	1" 1068 PT BRASS GATE VALVE	65	110 0.69
203050	1.1/4" 1068 PT BRASS GATE VALVE	73	125 1.03
203051	1.1/2" 1068 PT BRASS GATE VALVE	76	145 1.40
203052	2" 1068 PT BRASS GATE VALVE	90	170 2.28
203053	2.1/2" 1068 PT BRASS GATE VALVE	102	205 3.68
203054	3" 1068 PT BRASS GATE VALVE	114	240 5.42
203055	4" 1068 PT BRASS GATE VALVE	134	290 155

Pegler Yorkshire reserve the right to change specifications

### Flow Rate

Size	Pattern No.	Code	Kv m <sup>3</sup> /h	Cv - US GPM
1/2"	1068	203007	14.00	-
3/4"	1068	203008	32.00	-
1"	1068	203009	57.00	-
1.1/4"	1068	203010	90.00	-
1.1/2"	1068	203011	129.00	-
2"	1068	203012	230.00	-
2.1/2"	1068	203013	428.00	-
3"	1068	203014	680.00	-
4"	1068	203015	1088.00	-
1/2"	1068 AT	203027	14.00	16.40
3/4"	1068 AT	203028	32.00	37.40
1"	1068 AT	203029	57.00	66.70
1.1/4"	1068 AT	203030	90.00	105.30
1.1/2"	1068 AT	203031	129.00	150.90
2"	1068 AT	203032	230.00	269.10
2.1/2"	1068 AT	203033	428.00	500.80
3"	1068 AT	203034	680.00	795.60
4"	1068 AT	203035	1088.00	1273.00
1/2"	1068 PT	203047	14.00	-
3/4"	1068 PT	203048	32.00	-
1"	1068 PT	203049	57.00	-
1.1/4"	1068 PT	203050	90.00	-
1.1/2"	1068 PT	203051	129.00	-
2"	1068 PT	203052	230.00	-
2.1/2"	1068 PT	203053	428.00	-
3"	1068 PT	203054	680.00	-
4"	1068 PT	203055		

Pegler Yorkshire reserve the right to change specifications

### Pressure and Temperature

Description	Minimum Operating Pressure (bar)	Maximum Cold Working Pressure (bar)	Maximum Hot Working Pressure (bar)
1068 Gate valve	No Minimum Operating Pressure	20.0 bar at temperatures up to 100oC	9 bar at temperatures up to 180oC

### Care and Maintenance

**Care**  
No regular aesthetic care is required for this product

**Maintenance**

A regular maintenance program is the most efficient method of ensuring longer term operational efficiency of the selected valve. Such a program would need to include a risk assessment and a planned procedure of how the maintenance will be carried out. The possibility of operational limits being exceeded and the potential hazards ensuring must be considered as part of this assessment. This should be implemented to include visual checks on the valve's condition and any development of unforeseen conditions, which could lead to failure. The correct fitting tools and equipment should be used for valve maintenance work. Separate means of draining the pipe work must be provided when carrying out any maintenance to valves. Where there may be any system debris this could be collected and /or filtered by installation of the appropriate protective device.

For further help please contact your local engineer.

If your product is under warranty please contact the Service Support Team on: 0800 1560050

## [Regulations](#)

### Regulations

#### THE PRESSURE EQUIPMENT DIRECTIVE 97/23/EC and CE MARKING

The Pressure Equipment Regulations 1999 (SI 1999/2001) have now been introduced into United Kingdom law.

Valves with a maximum allowable pressure greater than 0.5 bar are covered by these new Regulations. Valves are categorised according to their maximum working pressure, size and rising level of hazard. The level of hazard varies according to the fluid being carried. Fluids are classified as Group 1, dangerous fluids or Group 2, all other fluids including steam. The Categories designated are SEP (sound engineering practice). Valves up to and including 25mm (1") are designated SEP regardless of the fluid group. Those identified as having increased hazard are Categorised as, I, II, III or IV. All valves designated as SEP do not bear the CE mark nor require a Declaration of Conformity. Categories I, II, III or IV carry the CE mark and require a Declaration of Conformity. Valves classified from the piping chart would not be included in Category IV.

#### **Size Pattern No. Code PED Categorisation**

1/2"	1068	203007 -
3/4"	1068	203008 -
1"	1068	203009 -
1.1/4"	1068	203010 -
1.1/2"	1068	203011 -
2"	1068	203012 -
2.1/2"	1068	203013 -
3"	1068	203014 -
4"	1068	203015 -
1/2"	1068 AT	203027 -
3/4"	1068 AT	203028 -
1"	1068 AT	203029 -
1.1/4"	1068 AT	203030 -
1.1/2"	1068 AT	203031 -
2"	1068 AT	203032 -
2.1/2"	1068 AT	203033 -
3"	1068 AT	203034 -
4"	1068 AT	203035 -
1/2"	1068 PT	203047 -
3/4"	1068 PT	203048 -
1"	1068 PT	203049 -
1.1/4"	1068 PT	203050 -
1.1/2"	1068 PT	203051 -
2"	1068 PT	203052 -
2.1/2"	1068 PT	203053 -
3"	1068 PT	203054 -
4"	1068 PT	203055 -

Pegler Yorkshire reserve the right to change specifications

## [Materials](#)

<b>Component</b>	<b>Material</b>
Body	Forged brass (1/4" to 2")
	Gravity die cast brass (2.1/2" to 4")
Bonnet	Forged brass 1\4" to 3")
	Gravity die cast brass (4")

Component	Material
Stem	Brass Bar
Wedge	Forged brass (1¼" to 2.1½") Gravity die cast brass (3" to 4")
Stem Ring	Brass Bar
Gland	Brass Bar
Gland Nut	Brass bar (1¼" to 1") Forged brass (1.1¼" to 4")
Handwheel	Aluminium
Handwheel Nut	Brass Bar
Gland Packing	PTFE
Rating Disc	Aluminium
Locksheild	Brass bar

### Flange Data

Size	Code	Flange Diameter (mm)	Pitch Circle Diameter (mm)	No of Bolts	Bolt Diameter (mm)	Hole Diameter (mm)	Raised Face Diameter (mm)	Raised Face Height (mm)	Thickness of Flange (mm)
------	------	----------------------	----------------------------	-------------	--------------------	--------------------	---------------------------	-------------------------	--------------------------

Pegler Yorkshire reserve the right to change specifications

### Technical Suitability

Steam	Water	Oil	Air	Gas	Inert Gas	Combustible†	Gas Corrosive††	Gas Oxygen
no	yes	yes	no	no	no	no	no	no

Pegler Yorkshire reserve the right to change specifications

### Gas application guide

Class 1. INERT Air, argon, carbon dioxide, helium, nitrogen

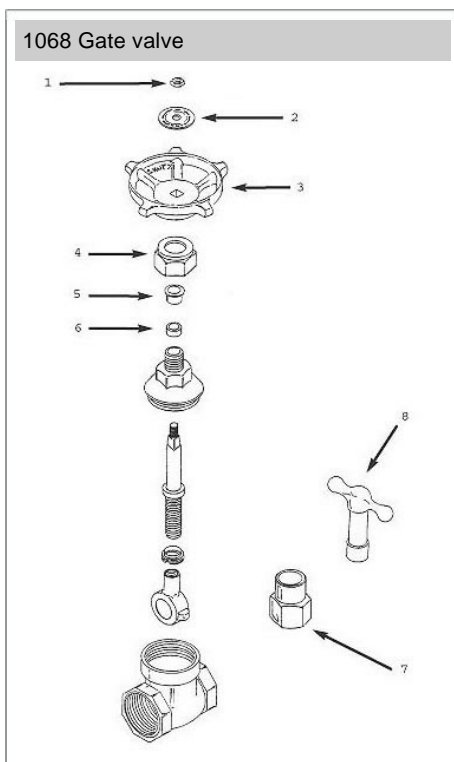
Class 2. COMBUSTIBLE Hydrogen, methane, natural gas, town gas

Class 3. CORROSIVE Chlorine, sulphur dioxide Class 4. OXYGEN

Class 1. INERT Air, argon, carbon dioxide, helium, nitrogen

† Valves are suitable for British Gas Applications Family Gases 1, 2 and 3.

†† Suitable in applications where moisture is completely absent.



Spare Key	Description	Code	Barcode	Date From	Date To	Price (£) ex VAT
1						
1	WN1 HANDWHEEL NUT BRASS (M5)	850481	5013866060977	01/01/1900	To Current	£0.94
1	WN1 HANDWHEEL NUT BRASS (M5)	850481	5013866060977	01/01/1900	To Current	£0.94
1	WN1 HANDWHEEL NUT BRASS (M5)	850481	5013866060977	01/01/1900	To Current	£0.94
1	WN2 HANDWHEEL NUT BRASS (M6)	850482	5013866060984	01/01/1900	To Current	£0.94
1	WN2 HANDWHEEL NUT BRASS (M6)	850482	5013866060984	01/01/1900	To Current	£0.94
1	WN2 HANDWHEEL NUT BRASS (M6)	850482	5013866060984	01/01/1900	To Current	£0.94
1	WN2 HANDWHEEL NUT BRASS (M6)	850482	5013866060984	01/01/1900	To Current	£0.94
1	WN14 HANDWHEEL NUT BRASS (M8)	850512	5013866061141	01/09/1999	07/04/2022	£0.00
1	WN3 HANDWHEEL NUT BRASS (5/16 UNC)	851411	5013866063923	01/01/1990	08/03/2022	£0.00
1	WN15 HANDWHEEL NUT BRASS (M10)	850724	5013866061929	01/09/1999	03/11/2022	£1.00
1	WN4 HANDWHEEL NUT BRASS (3/8 UNC)	851412	5013866063930	01/01/1990	08/03/2022	£0.00
1	WN4 HANDWHEEL NUT BRASS (3/8 UNC)	851412	5013866063930	01/01/1990	08/03/2022	£0.00
1	WN15 HANDWHEEL NUT BRASS (M10)	850724	5013866061929	01/09/1999	03/11/2022	£1.00
1	WN1 HANDWHEEL NUT BRASS (M5)	850481	5013866060977	01/01/1900	To Current	£0.94
1	WN1 HANDWHEEL NUT BRASS (M5)	850481	5013866060977	01/01/1900	To Current	£0.94
1	WN1 HANDWHEEL NUT BRASS (M5)	850481	5013866060977	01/01/1900	To Current	£0.94
1	WN1 HANDWHEEL NUT BRASS (M5)	850481	5013866060977	01/01/1900	To Current	£0.94

Spare Key	Description	Code	Barcode	Date From	Date To	Price (£) ex VAT
1	WN2 HANDWHEEL NUT BRASS (M6)	850482	5013866060984	01/01/1900	To Current	£0.94
1	WN2 HANDWHEEL NUT BRASS (M6)	850482	5013866060984	01/01/1900	To Current	£0.94
1	WN2 HANDWHEEL NUT BRASS (M6)	850482	5013866060984	01/01/1900	To Current	£0.94
1	WN14 HANDWHEEL NUT BRASS (M8)	850512	5013866061141	01/09/1999	07/04/2022	£0.00
1	WN3 HANDWHEEL NUT BRASS (5/16 UNC)	851411	5013866063923	01/01/1990	08/03/2022	£0.00
1	WN3 HANDWHEEL NUT BRASS (5/16 UNC)	851411	5013866063923	01/01/1990	08/03/2022	£0.00
1	WN14 HANDWHEEL NUT BRASS (M8)	850512	5013866061141	01/09/1999	07/04/2022	£0.00
1	WN4 HANDWHEEL NUT BRASS (3/8 UNC)	851412	5013866063930	01/01/1990	08/03/2022	£0.00
1	WN15 HANDWHEEL NUT BRASS (M10)	850724	5013866061929	01/09/1999	03/11/2022	£1.00
1	WN4 HANDWHEEL NUT BRASS (3/8 UNC)	851412	5013866063930	01/01/1990	08/03/2022	£0.00
1	WN15 HANDWHEEL NUT BRASS (M10)	850724	5013866061929	01/09/1999	03/11/2022	£1.00

Spare Key	Description	Code	Barcode	Date From	Date To	Price (£) ex VAT
2						
2	RATING DISC 1068 - SIZE 1	850423	5013866060564	01/01/1900	To Current	£1.07
2	RATING DISC 1068 - SIZE 1	850423	5013866060564	01/01/1900	To Current	£1.07
2	RATING DISC 1068 - SIZE 1	850423	5013866060564	01/01/1900	To Current	£1.07
2	RATING DISC 1068 - SIZE 1	850423	5013866060564	01/01/1900	To Current	£1.07
2	RATING DISC 1068 - SIZE 1	850423	5013866060564	01/01/1900	To Current	£1.07
2	RATING DISC 1068 - SIZE 1	850423	5013866060564	01/01/1900	To Current	£1.07
2	RATING DISC 1068 - SIZE 1	850423	5013866060564	01/01/1900	To Current	£1.07
2	RATING DISC 1068 - SIZE 2	850424	5013866060571	01/01/1900	To Current	£2.18
2	RATING DISC 1068 - SIZE 3	850425	5013866060588	01/01/1900	04/10/2022	£3.22
2	RATING DISC 1068 - SIZE 3	850425	5013866060588	01/01/1900	04/10/2022	£3.22
2	RATING DISC 1068 - SIZE 1	850423	5013866060564	01/01/1900	To Current	£1.07
2	RATING DISC 1068 - SIZE 1	850423	5013866060564	01/01/1900	To Current	£1.07
2	RATING DISC 1068 - SIZE 1	850423	5013866060564	01/01/1900	To Current	£1.07
2	RATING DISC 1068 - SIZE 1	850423	5013866060564	01/01/1900	To Current	£1.07
2	RATING DISC 1068 - SIZE 1	850423	5013866060564	01/01/1900	To Current	£1.07
2	RATING DISC 1068 - SIZE 1	850423	5013866060564	01/01/1900	To Current	£1.07
2	RATING DISC 1068 - SIZE 1	850423	5013866060564	01/01/1900	To Current	£1.07
2	RATING DISC 1068 - SIZE 2	850424	5013866060571	01/01/1900	To Current	£2.18
2	RATING DISC 1068 - SIZE 2	850424	5013866060571	01/01/1900	To Current	£2.18
2	RATING DISC 1068 - SIZE 3	850425	5013866060588	01/01/1900	04/10/2022	£3.22
2	RATING DISC 1068 - SIZE 3	850425	5013866060588	01/01/1900	04/10/2022	£3.22

Spare Key	Description	Code	Barcode	Date From	Date To	Price (£) ex VAT
3						
3	W1 HANDWHEEL (RED)	850100	5013866059513	01/01/1900	To Current	£12.90
3	W1 HANDWHEEL (RED)	850100	5013866059513	01/01/1900	To Current	£12.90
3	W1 HANDWHEEL (RED)	850100	5013866059513	01/01/1900	To Current	£12.90
3	W3 HANDWHEEL (RED)	850101	5013866059520	01/01/1900	To Current	£12.90
3	W4 HANDWHEEL (RED)	850102	5013866059537	01/01/1900	To Current	£12.90
3	W6 HANDWHEEL (RED)	850104	5013866059551	01/01/1900	To Current	£20.44
3	W7 HANDWHEEL (RED)	850105	5013866059568	01/01/1900	To Current	£20.44
3	W8 HANDWHEEL (RED)	850106	5013866059575	01/01/1900	To Current	£20.44
3	W10 HANDWHEEL (RED)	850107	5013866059582	01/01/1900	To Current	£38.26
3	W10 HANDWHEEL (RED)	850107	5013866059582	01/01/1900	To Current	£38.26
3	W1 HANDWHEEL (RED)	850100	5013866059513	01/01/1900	To Current	£12.90
3	W1 HANDWHEEL (RED)	850100	5013866059513	01/01/1900	To Current	£12.90
3	W1 HANDWHEEL (RED)	850100	5013866059513	01/01/1900	To Current	£12.90
3	W1 HANDWHEEL (RED)	850100	5013866059513	01/01/1900	To Current	£12.90
3	W3 HANDWHEEL (RED)	850101	5013866059520	01/01/1900	To Current	£12.90
3	W4 HANDWHEEL (RED)	850102	5013866059537	01/01/1900	To Current	£12.90

Spare Key	Description	Code	Barcode	Date From	Date To	Price (£) ex VAT
3	W6 HANDWHEEL (RED)	850104	5013866059551	01/01/1900	To Current	£20.44
3	W8 HANDWHEEL (RED)	850106	5013866059575	01/01/1900	To Current	£20.44
3	W8 HANDWHEEL (RED)	850106	5013866059575	01/01/1900	To Current	£20.44
3	W10 HANDWHEEL (RED)	850107	5013866059582	01/01/1900	To Current	£38.26
3	W10 HANDWHEEL (RED)	850107	5013866059582	01/01/1900	To Current	£38.26

Spare Key	Description	Code	Barcode	Date From	Date To	Price (£) ex VAT
4						
4	GN1 GLAND NUT	850310	5013866059889	01/01/1900	08/03/2022	£0.00
4	GN11 GLAND NUT	851338	5013866063916	01/01/1900	08/03/2022	£0.00
4	GN11 GLAND NUT	851338	5013866063916	01/01/1900	08/03/2022	£0.00
4	GN8 GLAND NUT	850312	5013866059902	01/01/1900	08/03/2022	£0.00
4	GN9 GLAND NUT	850313	5013866059919	01/01/1900	08/03/2022	£0.00
4	GN10 GLAND NUT	850314	5013866059926	01/01/1900	08/03/2022	£0.00
4	GN12 GLAND NUT	850315	5013866059933	01/01/1900	08/03/2022	£0.00
4	GN13 GLAND NUT	851150	5013866063893	01/01/1900	08/03/2022	£0.00
4	GN15 GLAND NUT	850317	5013866059940	01/01/1900	08/03/2022	£0.00
4	GN23 GLAND NUT	851029	5013866063862	01/01/1900	08/03/2022	£0.00
4	GN1 GLAND NUT	850310	5013866059889	01/01/1900	08/03/2022	£0.00
4	GN1 GLAND NUT	850310	5013866059889	01/01/1900	08/03/2022	£0.00
4	GN11 GLAND NUT	851338	5013866063916	01/01/1900	08/03/2022	£0.00
4	GN11 GLAND NUT	851338	5013866063916	01/01/1900	08/03/2022	£0.00
4	GN8 GLAND NUT	850312	5013866059902	01/01/1900	08/03/2022	£0.00
4	GN9 GLAND NUT	850313	5013866059919	01/01/1900	08/03/2022	£0.00
4	GN10 GLAND NUT	850314	5013866059926	01/01/1900	08/03/2022	£0.00
4	GN13 GLAND NUT	851150	5013866063893	01/01/1900	08/03/2022	£0.00
4	GN13 GLAND NUT	851150	5013866063893	01/01/1900	08/03/2022	£0.00
4	GN15 GLAND NUT	850317	5013866059940	01/01/1900	08/03/2022	£0.00
4	GN23 GLAND NUT	851029	5013866063862	01/01/1900	08/03/2022	£0.00

Spare Key	Description	Code	Barcode	Date From	Date To	Price (£) ex VAT
5						
5	G1 GLAND	855236	5013866065163	01/01/1900	08/03/2022	£0.00
5	G16 GLAND	850485	5013866061011	01/01/1900	08/03/2022	£0.00
5	G16 GLAND	850485	5013866061011	01/01/1900	08/03/2022	£0.00
5	G17 GLAND	850486	5013866061028	01/01/1900	08/03/2022	£0.00
5	G18 GLAND	815202	5013866057274	01/01/1900	08/03/2022	£0.00
5	G19 GLAND	850487	5013866061035	01/01/1900	08/03/2022	£0.00
5	G20 GLAND	850488	5013866061042	01/01/1900	08/03/2022	£0.00
5	G21 GLAND	850489	5013866061059	01/01/1900	08/03/2022	£0.00
5	G22 GLAND	850490	5013866061066	01/01/1900	08/03/2022	£0.00
5	G15 GLAND	850369	5013866060274	01/01/1900	08/03/2022	£0.00
5	G1 GLAND	855236	5013866065163	01/01/1900	08/03/2022	£0.00
5	G1 GLAND	855236	5013866065163	01/01/1900	08/03/2022	£0.00
5	G16 GLAND	850485	5013866061011	01/01/1900	08/03/2022	£0.00
5	G16 GLAND	850485	5013866061011	01/01/1900	08/03/2022	£0.00
5	G17 GLAND	850486	5013866061028	01/01/1900	08/03/2022	£0.00
5	G18 GLAND	815202	5013866057274	01/01/1900	08/03/2022	£0.00
5	G19 GLAND	850487	5013866061035	01/01/1900	08/03/2022	£0.00
5	G21 GLAND	850489	5013866061059	01/01/1900	08/03/2022	£0.00
5	G21 GLAND	850489	5013866061059	01/01/1900	08/03/2022	£0.00
5	G22 GLAND	850490	5013866061066	01/01/1900	08/03/2022	£0.00
5	G15 GLAND	850369	5013866060274	01/01/1900	08/03/2022	£0.00

Spare Key	Description	Code	Barcode	Date From	Date To	Price (£) ex VAT
6						
6	GP2 GLAND PACKING	855248	5013866065217	01/01/1900	04/10/2022	£1.68

Spare Key	Description	Code	Barcode	Date From	Date To	Price (£) ex VAT
6	GP12 GLAND PACKING	850327	5013866060021	01/01/1900	08/03/2022	£0.00
6	GP12 GLAND PACKING	850327	5013866060021	01/01/1900	08/03/2022	£0.00
6	GP8 GLAND PACKING	855241	5013866065187	01/01/1900	03/11/2022	£1.68
6	GP10 GLAND PACKING	850325	5013866060007	01/01/1900	04/10/2022	£1.68
6	GP9 GLAND PACKING	855247	5013866065200	01/01/1900	08/03/2022	£0.00
6	GP16 GLAND PACKING	855245	5013866065194	01/01/1900	04/10/2022	£2.18
6	GP17 GLAND PACKING	850331	5013866060069	01/01/1900	04/10/2022	£3.01
6	GP18 GLAND PACKING	851907	5013866063954	01/01/1900	04/10/2022	£3.01
6	GP19 GLAND PACKING	850332	5013866060076	01/01/1900	04/10/2022	£3.38
6	GP2 GLAND PACKING	855248	5013866065217	01/01/1900	04/10/2022	£1.68
6	GP2 GLAND PACKING	855248	5013866065217	01/01/1900	04/10/2022	£1.68
6	GP12 GLAND PACKING	850327	5013866060021	01/01/1900	08/03/2022	£0.00
6	GP12 GLAND PACKING	850327	5013866060021	01/01/1900	08/03/2022	£0.00
6	GP8 GLAND PACKING	855241	5013866065187	01/01/1900	03/11/2022	£1.68
6	GP10 GLAND PACKING	850325	5013866060007	01/01/1900	04/10/2022	£1.68
6	GP9 GLAND PACKING	855247	5013866065200	01/01/1900	08/03/2022	£0.00
6	GP17 GLAND PACKING	850331	5013866060069	01/01/1900	04/10/2022	£3.01
6	GP17 GLAND PACKING	850331	5013866060069	01/01/1900	04/10/2022	£3.01
6	GP18 GLAND PACKING	851907	5013866063954	01/01/1900	04/10/2022	£3.01
6	GP19 GLAND PACKING	850332	5013866060076	01/01/1900	04/10/2022	£3.38
Spare Key	Description	Code	Barcode	Date From	Date To	Price (£) ex VAT
7						
7	LS6 LOCKSHIELD	855238	5013866065170	01/01/1900	08/03/2022	£0.00
7	LS6 LOCKSHIELD	855238	5013866065170	01/01/1900	08/03/2022	£0.00
7	LS3 LOCKSHIELD	850152	5013866059681	01/01/1900	08/03/2022	£0.00
7	LS9 LOCKSHIELD	815201	5013866057267	01/01/1900	08/03/2022	£0.00
7	LS13 LOCKSHIELD	850416	5013866060502	01/01/1900	08/03/2022	£0.00
7	LS14 LOCKSHIELD	850367	5013866060250	01/01/1900	08/03/2022	£0.00
7	LS6 LOCKSHIELD	855238	5013866065170	01/01/1900	08/03/2022	£0.00
7	LS6 LOCKSHIELD	855238	5013866065170	01/01/1900	08/03/2022	£0.00
7	LS3 LOCKSHIELD	850152	5013866059681	01/01/1900	08/03/2022	£0.00
7	LS9 LOCKSHIELD	815201	5013866057267	01/01/1900	08/03/2022	£0.00
7	LS13 LOCKSHIELD	850416	5013866060502	01/01/1900	08/03/2022	£0.00
Spare Key	Description	Code	Barcode	Date From	Date To	Price (£) ex VAT
8						
8	K9 LOCKSHIELD KEY	850139	5013866059650	01/01/1900	To Current	£0.00
8	K9 LOCKSHIELD KEY	850139	5013866059650	01/01/1900	To Current	£0.00
8	K2 LOCKSHIELD KEY	817020	5013866058448	01/01/1900	To Current	£12.42
8	K3 LOCKSHIELD KEY	850132	5013866059612	01/01/1900	08/03/2022	£0.00
8	K5 LOCKSHIELD KEY	850134	5013866059629	01/01/1900	08/03/2022	£0.00
8	K6 LOCKSHIELD KEY	850135	5013866059636	01/01/1900	08/03/2022	£0.00
8	K9 LOCKSHIELD KEY	850139	5013866059650	01/01/1900	To Current	£0.00
8	K9 LOCKSHIELD KEY	850139	5013866059650	01/01/1900	To Current	£0.00
8	K2 LOCKSHIELD KEY	817020	5013866058448	01/01/1900	To Current	£12.42
8	K3 LOCKSHIELD KEY	850132	5013866059612	01/01/1900	08/03/2022	£0.00
8	K5 LOCKSHIELD KEY	850134	5013866059629	01/01/1900	08/03/2022	£0.00