

Pegler Proflow

DZR Fixed orifice commissioning valve (FODRV). ISO 228 parallel thread, with regulation, isolation and flow measurement functions

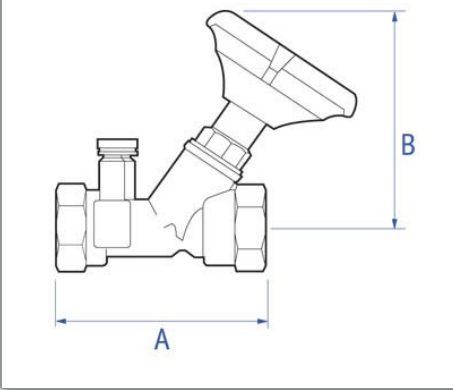
1260 Fixed commissioning valve



General Information

Size	Pattern No.	Pack 1 Qty	Pack 2 Qty	Code	Barcode	Price (£) each ex VAT
1/2" (ULF)	1260ULF	1	5	126039	5022050578303	£111.27
1/2" (LF)	1260LF	1	5	126022	5022050563279	£111.27
1/2" (MF)	1260MF	1	5	126043	5022050578396	£111.27
1/2" (SF)	1260SF	1	5	126023	5022050563286	£111.27
3/4" (SF)	1260SF	1	4	126024	5022050563293	£158.75
1" (SF)	1260SF	1	3	126025	5022050563309	£181.12
1.1/4" (SF)	1260SF	1	2	126026	5022050563316	£226.97
1.1/2" (SF)	1260SF	1	2	126027	5022050563330	£290.84
2" (SF)	1260SF	1	2	126028	5022050563347	£343.86

1260 Fixed commissioning valve



Dimensions

Code	Description	A	B
126039	1/2" 1260ULF		
126022	1/2" 1260LF	79	106 0.54
126043	1/2" 1260MF		
126023	1/2" 1260SF	79	106 0.53
126024	3/4" 1260SF	86	106 0.59
126025	1" 1260SF	103	113 0.90
126026	1.1/4" 1260SF	121	120 1.29
126027	1.1/2" 1260SF	127	123 1.68
126028	2" 1260SF	157	138 2.97

Pegler Yorkshire reserve the right to change specifications

Flow Rate

Size	Pattern No.	Code	Kv m3/h	Kvs m3/h
1/2" (ULF)	1260ULF	126039	0.27	0.25
1/2" (LF)	1260LF	126022	0.55	0.49
1/2" (MF)	1260MF	126043	1.08	0.98
1/2" (SF)	1260SF	126023	2.09	2.02
3/4" (SF)	1260SF	126024	3.07	4.43
1" (SF)	1260SF	126025	6.19	6.07
1.1/4" (SF)	1260SF	126026	13.13	11.1
1.1/2" (SF)	1260SF	126027	22.49	22.26
2" (SF)	1260SF	126028	28.19	42.46

Pegler Yorkshire reserve the right to change specifications

Materials

Component

Material

Component	Material
Body	GDCBr, BSEN 1982, CC 752S
Bonnet	EBB, BSEN 12164, CW 617N
Spindle	EBB, BSEN 12164, CW 617N
Disc	EBB, BSEN 12164, CW 617N
Gland	Packing Piece EBB, BSEN 12164, CW 617N
'O' rings	EPTO
Orifice plate	EBB, BSEN 12164, CW 617N
Circlip	Carbon spring steel
Adjustment screw	EBB, BSEN 12164, CW 617N
Test points	DZR Brass
Seals	EPTO
Handle	30% Glass filled nylon 66
Set screw	Brass

Technical Suitability

Steam	Water	Oil	Air	Gas	Inert Gas	Combustible†	Gas Corrosive††	Gas Oxygen
no	yes	no	no	no	no	no	no	no

Pegler Yorkshire reserve the right to change specifications

Gas application guide

Class 1. INERT Air, argon, carbon dioxide, helium, nitrogen

Class 2. COMBUSTIBLE Hydrogen, methane, natural gas, town gas

Class 3. CORROSIVE Chlorine, sulphur dioxide Class 4. OXYGEN

Class 1. INERT Air, argon, carbon dioxide, helium, nitrogen

† Valves are suitable for British Gas Applications Family Gases 1, 2 and 3.

†† Suitable in applications where moisture is completely absent.