

Pegler Valve

Brass full bore gate valve. Compression ends to EN 1254/2, PN16

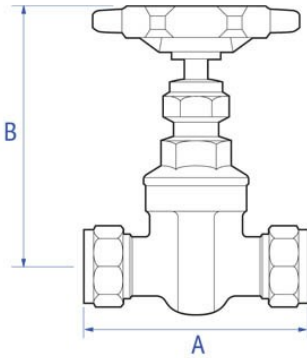
63 Gate valve



General Information

Size	Pattern No.	Pack 1 Qty	Pack 2 Qty	Code	Barcode	Price (£) each ex VAT
15mm 63		10	0	506007	5013866016066	£29.56
22mm 63		10	0	506008	5013866016073	£48.60
28mm 63		5	0	506009	5013866016080	£79.03
35mm 63		2	0	506010	5013866016097	£143.53
42mm GM63		2	0	507011	5013866016189	£226.97
54mm GM63		1	0	507012	5022050545749	£363.16

63 Gate valve



Dimensions

Code	Description	A	B
506007	15MM 63 BRASS GATE VALVE CXC	72	83 0.31
506008	22MM 63 BRASS GATE VALVE CXC	81	93 0.47
506009	28MM 63 BRASS GATE VALVE CXC	90	111 0.65
506010	35MM 63 BRASS GATE VALVE CXC	107	124 1.26
507011	42MM GM63 GUNMETAL GATEVALVE CXC	113	146 1.60
507012	54MM GM63 GUNMETAL GATEVALVE CXC	129	174 2.70

Pegler Yorkshire reserve the right to change specifications

Flow Rate

Size	Pattern No.	Code	Kv m3/h
15mm 63		506007	14.00
22mm 63		506008	32.00
28mm 63		506009	57.00
35mm 63		506010	
42mm GM63		507011	129.00
54mm GM63		507012	230.00

Pegler Yorkshire reserve the right to change specifications

Pressure and Temperature

Description	Minimum Operating Pressure (bar)	Maximum Cold Working Pressure (bar)	Maximum Hot Working Pressure (bar)
63 Gate valve	No Minimum Operating Pressure	16.0 bar at temperatures up to 30oC	5.0 bar at temperatures up to 120oC

Care and Maintenance

Care

No regular aesthetic care is required for this product

Maintenance

A regular maintenance program is the most efficient method of ensuring longer term operational efficiency of the selected valve. Such a program would need to include a risk assessment and a planned procedure of how the maintenance will be carried out. The possibility of operational limits being exceeded and the potential hazards ensuring must be considered as part of this assessment. This should be implemented to include visual checks on the valve's condition and any development of unforeseen conditions, which could lead to failure. The correct fitting tools and equipment should be used for valve maintenance work. Separate means of draining the pipe work must be provided when carrying out any maintenance to valves. Where there may be any system debris this could be collected and /or filtered by installation of the appropriate protective device.

For further help please contact your local engineer.

If your product is under warranty please contact the Service Support Team on: 0800 1560050

Regulations

Regulations

THE PRESSURE EQUIPMENT DIRECTIVE 97/23/EC and CE MARKING

The Pressure Equipment Regulations 1999 (SI 1999/2001) have now been introduced into United Kingdom law.

Valves with a maximum allowable pressure greater than 0.5 bar are covered by these new Regulations. Valves are categorised according to their maximum working pressure, size and rising level of hazard. The level of hazard varies according to the fluid being carried. Fluids are classified as Group 1, dangerous fluids or Group 2, all other fluids including steam. The Categories designated are SEP (sound engineering practice). Valves up to and including 25mm (1") are designated SEP regardless of the fluid group. Those identified as having increased hazard are Categorised as, I, II, III or IV. All valves designated as SEP do not bear the CE mark nor require a Declaration of Conformity. Categories I, II, III or IV carry the CE mark and require a Declaration of Conformity. Valves classified from the piping chart would not be included in Category IV.

This product has been designed in accordance with BS5154 standard.

Size Pattern No. Code PED Categorisation

15mm 63	506007 SEP
22mm 63	506008 SEP
28mm 63	506009 -
35mm 63	506010 -
42mm GM63	507011 SEP
54mm GM63	507012 SEP

Pegler Yorkshire reserve the right to change specifications

Materials

Component	Material
Body	Brass, Gunmetal
Bonnet	Forged Brass
Stem	Brass Bar
Wedge	Brass, Gunmetal
Stem Ring	Brass Bar
Gland	Brass Bar
Gland Nut	Brass Bar (15 and 22mm), Forged Brass (28 to 54mm)
Handwheel	Aluminium
Handwheel Nut	Brass Bar
Compression Nut	Forged Brass, Chrome Plated
Compression Cone	Brass
Rating Disc	Aluminium

Technical Suitability

Steam	Water	Oil	Air	Gas	Inert Gas	Combustible† Gas	Corrosive†† Gas	Oxygen
no	yes	yes	no	no	no	no	no	no

Pegler Yorkshire reserve the right to change specifications

Gas application guide

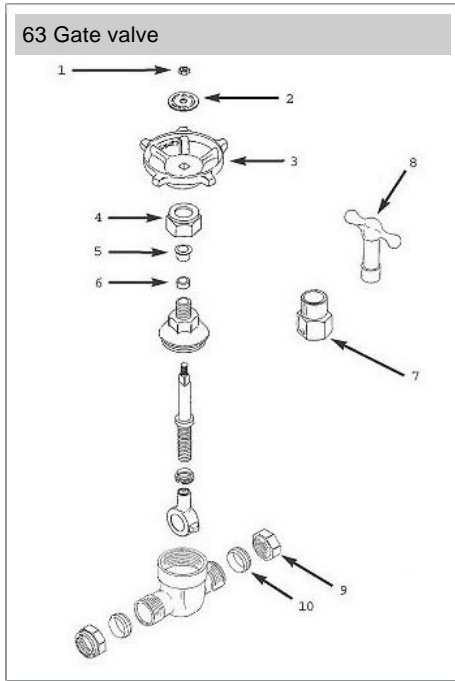
Class 1. INERT Air, argon, carbon dioxide, helium, nitrogen

Class 2. COMBUSTIBLE Hydrogen, methane, natural gas, town gas

Class 3. CORROSIVE Chlorine, sulphur dioxide Class 4. OXYGEN

Class 1. INERT Air, argon, carbon dioxide, helium, nitrogen

† Valves are suitable for British Gas Applications Family Gases 1, 2 and 3.
 †† Suitable in applications where moisture is completely absent.



Spare Key	Description	Code	Barcode	Date From	Date To	Price (£) ex VAT
1						
1	WN1 HANDWHEEL NUT BRASS (M5)	850481	5013866060977	01/01/1900	To Current	£0.94
1	WN1 HANDWHEEL NUT BRASS (M5)	850481	5013866060977	01/01/1900	To Current	£0.94
1	WN2 HANDWHEEL NUT BRASS (M6)	850482	5013866060984	01/01/1900	To Current	£0.94
1	WN2 HANDWHEEL NUT BRASS (M6)	850482	5013866060984	01/01/1900	To Current	£0.94
1	WN1 HANDWHEEL NUT BRASS (M5)	850481	5013866060977	01/01/1900	To Current	£0.94
1	WN1 HANDWHEEL NUT BRASS (M5)	850481	5013866060977	01/01/1900	To Current	£0.94
1	WN2 HANDWHEEL NUT BRASS (M6)	850482	5013866060984	01/01/1900	To Current	£0.94
1	WN2 HANDWHEEL NUT BRASS (M6)	850482	5013866060984	01/01/1900	To Current	£0.94
1	WN2 HANDWHEEL NUT BRASS (M6)	850482	5013866060984	01/01/1900	To Current	£0.94
1	WN2 HANDWHEEL NUT BRASS (M6)	850482	5013866060984	01/01/1900	To Current	£0.94

Spare Key	Description	Code	Barcode	Date From	Date To	Price (£) ex VAT
2						
2	RATING DISC 63 - SIZE 1	850420	5013866060540	01/01/1900	To Current	£1.07
2	RATING DISC 63 - SIZE 1	850420	5013866060540	01/01/1900	To Current	£1.07
2	RATING DISC 63 - SIZE 1	850420	5013866060540	01/01/1900	To Current	£1.07
2	RATING DISC 63 - SIZE 1	850420	5013866060540	01/01/1900	To Current	£1.07
2	RATING DISC 63 - SIZE 1	850420	5013866060540	01/01/1900	To Current	£1.07
2	RATING DISC 63 - SIZE 1	850420	5013866060540	01/01/1900	To Current	£1.07
2	RATING DISC 63 - SIZE 1	850420	5013866060540	01/01/1900	To Current	£1.07
2	RATING DISC 63 - SIZE 1	850420	5013866060540	01/01/1900	To Current	£1.07
2	RATING DISC 63 - SIZE 1	850420	5013866060540	01/01/1900	To Current	£1.07
2	RATING DISC 63 - SIZE 1	850420	5013866060540	01/01/1900	To Current	£1.07

Spare Key	Description	Code	Barcode	Date From	Date To	Price (£) ex VAT
3						
3	W1 HANDWHEEL (RED)	850100	5013866059513	01/01/1900	To Current	£12.90
3	W1 HANDWHEEL (RED)	850100	5013866059513	01/01/1900	To Current	£12.90
3	W3 HANDWHEEL (RED)	850101	5013866059520	01/01/1900	To Current	£12.90
3	W4 HANDWHEEL (RED)	850102	5013866059537	01/01/1900	To Current	£12.90
3	W1 HANDWHEEL (RED)	850100	5013866059513	01/01/1900	To Current	£12.90
3	W1 HANDWHEEL (RED)	850100	5013866059513	01/01/1900	To Current	£12.90
3	W3 HANDWHEEL (RED)	850101	5013866059520	01/01/1900	To Current	£12.90
3	W4 HANDWHEEL (RED)	850102	5013866059537	01/01/1900	To Current	£12.90
3	W6 HANDWHEEL (RED)	850104	5013866059551	01/01/1900	To Current	£20.44
3	W7 HANDWHEEL (RED)	850105	5013866059568	01/01/1900	To Current	£20.44

Spare Key	Description	Code	Barcode	Date From	Date To	Price (£) ex VAT
4						
4	GN11 GLAND NUT	851338	5013866063916	01/01/1900	08/03/2022	£0.00
4	GN11 GLAND NUT	851338	5013866063916	01/01/1900	08/03/2022	£0.00
4	GN8 GLAND NUT	850312	5013866059902	01/01/1900	08/03/2022	£0.00
4	GN9 GLAND NUT	850313	5013866059919	01/01/1900	08/03/2022	£0.00
4	GN11 GLAND NUT	851338	5013866063916	01/01/1900	08/03/2022	£0.00
4	GN11 GLAND NUT	851338	5013866063916	01/01/1900	08/03/2022	£0.00
4	GN8 GLAND NUT	850312	5013866059902	01/01/1900	08/03/2022	£0.00
4	GN9 GLAND NUT	850313	5013866059919	01/01/1900	08/03/2022	£0.00
4	GN10 GLAND NUT	850314	5013866059926	01/01/1900	08/03/2022	£0.00

Spare Key	Description	Code	Barcode	Date From	Date To	Price (£) ex VAT
4	GN12 GLAND NUT	850315	5013866059933	01/01/1900	08/03/2022	£0.00
Spare Key	Description	Code	Barcode	Date From	Date To	Price (£) ex VAT
5						
5	G16 GLAND	850485	5013866061011	01/01/1900	08/03/2022	£0.00
5	G16 GLAND	850485	5013866061011	01/01/1900	08/03/2022	£0.00
5	G17 GLAND	850486	5013866061028	01/01/1900	08/03/2022	£0.00
5	G18 GLAND	815202	5013866057274	01/01/1900	08/03/2022	£0.00
5	G16 GLAND	850485	5013866061011	01/01/1900	08/03/2022	£0.00
5	G16 GLAND	850485	5013866061011	01/01/1900	08/03/2022	£0.00
5	G17 GLAND	850486	5013866061028	01/01/1900	08/03/2022	£0.00
5	G18 GLAND	815202	5013866057274	01/01/1900	08/03/2022	£0.00
5	G19 GLAND	850487	5013866061035	01/01/1900	08/03/2022	£0.00
5	G20 GLAND	850488	5013866061042	01/01/1900	08/03/2022	£0.00
Spare Key	Description	Code	Barcode	Date From	Date To	Price (£) ex VAT
6						
6	GP12 GLAND PACKING	850327	5013866060021	01/01/1900	08/03/2022	£0.00
6	GP12 GLAND PACKING	850327	5013866060021	01/01/1900	08/03/2022	£0.00
6	GP8 GLAND PACKING	855241	5013866065187	01/01/1900	03/11/2022	£1.68
6	GP10 GLAND PACKING	850325	5013866060007	01/01/1900	04/10/2022	£1.68
6	GP12 GLAND PACKING	850327	5013866060021	01/01/1900	08/03/2022	£0.00
6	GP12 GLAND PACKING	850327	5013866060021	01/01/1900	08/03/2022	£0.00
6	GP8 GLAND PACKING	855241	5013866065187	01/01/1900	03/11/2022	£1.68
6	GP10 GLAND PACKING	850325	5013866060007	01/01/1900	04/10/2022	£1.68
6	GP9 GLAND PACKING	855247	5013866065200	01/01/1900	08/03/2022	£0.00
6	GP16 GLAND PACKING	855245	5013866065194	01/01/1900	04/10/2022	£2.18
Spare Key	Description	Code	Barcode	Date From	Date To	Price (£) ex VAT
7						
7	LS6 LOCKSHIELD	855238	5013866065170	01/01/1900	08/03/2022	£0.00
7	LS6 LOCKSHIELD	855238	5013866065170	01/01/1900	08/03/2022	£0.00
7	LS3 LOCKSHIELD	850152	5013866059681	01/01/1900	08/03/2022	£0.00
7	LS9 LOCKSHIELD	815201	5013866057267	01/01/1900	08/03/2022	£0.00
7	LS6 LOCKSHIELD	855238	5013866065170	01/01/1900	08/03/2022	£0.00
7	LS6 LOCKSHIELD	855238	5013866065170	01/01/1900	08/03/2022	£0.00
7	LS3 LOCKSHIELD	850152	5013866059681	01/01/1900	08/03/2022	£0.00
7	LS9 LOCKSHIELD	815201	5013866057267	01/01/1900	08/03/2022	£0.00
7	LS13 LOCKSHIELD	850416	5013866060502	01/01/1900	08/03/2022	£0.00
7	LS14 LOCKSHIELD	850367	5013866060250	01/01/1900	08/03/2022	£0.00
Spare Key	Description	Code	Barcode	Date From	Date To	Price (£) ex VAT
8						
8	K9 LOCKSHIELD KEY	850139	5013866059650	01/01/1900	To Current	£0.00
8	K9 LOCKSHIELD KEY	850139	5013866059650	01/01/1900	To Current	£0.00
8	K2 LOCKSHIELD KEY	817020	5013866058448	01/01/1900	To Current	£12.42
8	K3 LOCKSHIELD KEY	850132	5013866059612	01/01/1900	08/03/2022	£0.00
8	K9 LOCKSHIELD KEY	850139	5013866059650	01/01/1900	To Current	£0.00
8	K9 LOCKSHIELD KEY	850139	5013866059650	01/01/1900	To Current	£0.00
8	K2 LOCKSHIELD KEY	817020	5013866058448	01/01/1900	To Current	£12.42
8	K3 LOCKSHIELD KEY	850132	5013866059612	01/01/1900	08/03/2022	£0.00
8	K5 LOCKSHIELD KEY	850134	5013866059629	01/01/1900	08/03/2022	£0.00
8	K6 LOCKSHIELD KEY	850135	5013866059636	01/01/1900	08/03/2022	£0.00
Spare Key	Description	Code	Barcode	Date From	Date To	Price (£) ex VAT
9						
9	15MM 105 PRESTEX TYPE A BRASS CAPNUT	860097	5013866023774	01/01/1900	To Current	£4.63

Spare Key	Description	Code	Barcode	Date From	Date To	Price (£) ex VAT
9	22MM 105 PRESTEX TYPE A BRASS CAPNUT	860068	5013866023729	01/01/1900	To Current	£7.90
9	28MM 105 PRESTEX TYPE A BRASS CAPNUT	860069	5013866023736	01/01/1900	To Current	£10.81
9	35MM 105 PRESTEX TYPE A BRASS CAPNUT	860070	5013866023743	01/01/1900	To Current	£14.86
9	15MM 105 PRESTEX TYPE A BRASS CAPNUT	860097	5013866023774	01/01/1900	To Current	£4.63
9	22MM 105 PRESTEX TYPE A BRASS CAPNUT	860068	5013866023729	01/01/1900	To Current	£7.90
9	28MM 105 PRESTEX TYPE A BRASS CAPNUT	860069	5013866023736	01/01/1900	To Current	£10.81
9	35MM 105 PRESTEX TYPE A BRASS CAPNUT	860070	5013866023743	01/01/1900	To Current	£14.86
9	42MM 105 PRESTEX TYPE A BRASS CAPNUT	860071	5013866023750	01/01/1900	To Current	£22.09
9	54MM 105 PRESTEX TYPE A BRASS CAPNUT	860072	5013866023767	01/01/1900	To Current	£38.34

Spare Key	Description	Code	Barcode	Date From	Date To	Price (£) ex VAT
10						
10	15MM 103 BRASS CONE	860047	5013866023637	01/01/1900	To Current	£2.23
10	15MM C103 COPPER CONE	860007	5013866023514	01/09/2003	06/09/2018	£0.00
10	22MM C103 COPPER CONE	860008	5013866023521	01/09/2003	06/09/2018	£0.00
10	22MM 103 BRASS CONE	860048	5013866023644	01/01/1900	To Current	£2.99
10	28MM C103 COPPER CONE	860009	5013866023538	01/09/2003	06/09/2018	£0.00
10	28MM 103 BRASS CONE	860309	5013866024085	01/01/1900	To Current	£3.95
10	35MM C103 COPPER CONE	860010	5013866023545	01/09/2003	06/09/2018	£0.00
10	35MM 103 BRASS CONE	860050	5013866023651	01/01/1900	To Current	£5.80
10	15MM 103 BRASS CONE	860047	5013866023637	01/01/1900	To Current	£2.23
10	15MM C103 COPPER CONE	860007	5013866023514	01/09/2003	06/09/2018	£0.00
10	22MM C103 COPPER CONE	860008	5013866023521	01/09/2003	06/09/2018	£0.00
10	22MM 103 BRASS CONE	860048	5013866023644	01/01/1900	To Current	£2.99
10	28MM C103 COPPER CONE	860009	5013866023538	01/09/2003	06/09/2018	£0.00
10	28MM 103 BRASS CONE	860309	5013866024085	01/01/1900	To Current	£3.95
10	35MM 103 BRASS CONE	860050	5013866023651	01/01/1900	To Current	£5.80
10	35MM C103 COPPER CONE	860010	5013866023545	01/09/2003	06/09/2018	£0.00
10	42MM C103 COPPER CONE	860011	5013866023552	01/09/2003	06/09/2018	£0.00
10	42MM 103 BRASS CONE	860051	5013866023668	01/01/1900	To Current	£11.20
10	54MM C103 COPPER CONE	860012	5013866023569	01/09/2003	06/09/2018	£0.00
10	54MM 103 BRASS CONE	860052	5013866023675	01/01/1900	To Current	£18.00