

# Pegler Valve

Brass full bore gate valve with lockshield. Compression ends to EN 1254/2, PN16

63LS Gate valve

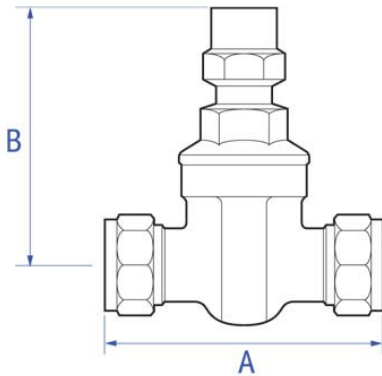


## General Information

Size	Pattern No.	Pack		Code	Barcode	Price (£) each ex VAT
		1 Qty	2 Qty			
15mm	63LS	10	0	<a href="#">506037</a>	5013866016103	£33.96
22mm	63LS	10	0	<a href="#">506038</a>	5013866016110	£54.11
28mm	63LS	1	5	<a href="#">506039</a>	5022050546319	Disc(Out of Stock)

Discontinued 03/07/2021

63LS Gate valve



## Dimensions

Code	Description	A	B
506037	15MM 63LS BRASS GATEVALVE CW LS CXC 72 83	0.31	
506038	22MM 63LS BRASS GATEVALVE CW LS CXC 81 93	0.47	

Pegler Yorkshire reserve the right to change specifications

## Flow Rate

Size	Pattern No.	Code	Kv m3/h
15mm	63LS	506037	14.00
22mm	63LS	506038	32.00

Pegler Yorkshire reserve the right to change specifications

## Pressure and Temperature

Description	Minimum Operating Pressure (bar)	Maximum Cold Working Pressure (bar)	Maximum Hot Working Pressure (bar)
63LS Gate valve	No Minimum Operating Pressure	16.0 bar at temperatures up to 30oC	5.0 bar at temperatures up to 120oC

## Care and Maintenance

### Care

No regular aesthetic care is required for this product

### Maintenance

A regular maintenance program is the most efficient method of ensuring longer term operational efficiency of the selected valve. Such a program would need to include a risk assessment and a planned procedure of how the maintenance will be carried out. The possibility of operational limits being exceeded and the potential hazards ensuring must be considered as part of this assessment. This should be implemented to include visual checks on the valve's condition and any development of unforeseen conditions, which could lead to failure. The correct fitting tools and equipment should be used for valve maintenance work. Separate

means of draining the pipe work must be provided when carrying out any maintenance to valves. Where there may be any system debris this could be collected and /or filtered by installation of the appropriate protective device.

For further help please contact your local engineer.

If your product is under warranty please contact the Service Support Team on: 0800 1560050

## Regulations

### Regulations

#### THE PRESSURE EQUIPMENT DIRECTIVE 97/23/EC and CE MARKING

The Pressure Equipment Regulations 1999 (SI 1999/2001) have now been introduced into United Kingdom law.

Valves with a maximum allowable pressure greater than 0.5 bar are covered by these new Regulations. Valves are categorised according to their maximum working pressure, size and rising level of hazard. The level of hazard varies according to the fluid being carried. Fluids are classified as Group 1, dangerous fluids or Group 2, all other fluids including steam. The Categories designated are SEP (sound engineering practice). Valves up to and including 25mm (1") are designated SEP regardless of the fluid group. Those identified as having increased hazard are Categorised as, I, II, III or IV. All valves designated as SEP do not bear the CE mark nor require a Declaration of Conformity. Categories I, II, III or IV carry the CE mark and require a Declaration of Conformity. Valves classified from the piping chart would not be included in Category IV.

This product has been designed in accordance with BS5154 standard.

#### Size Pattern No. Code PED Categorisation

15mm 63LS	506037 SEP
22mm 63LS	506038 -

Pegler Yorkshire reserve the right to change specifications

## Materials

Component	Material
Body	Brass, Gunmetal
Bonnet	Forged Brass
Stem	Brass Bar
Wedge	Brass, Gunmetal
Stem Ring	Brass Bar
Gland	Brass Bar
Gland Nut	Brass Bar (15 and 22mm), Forged Brass (28 to 54mm)
Compression Nut	Forged Brass, Chrome Plated
Compression Cone	Brass
Lockshield	Brass Bar
Handwheel	Aluminium
Handwheel nut	Brass bar
Rating disc	Aluminium

## Technical Suitability

Steam	Water	Oil	Air	Gas	Inert Gas	Combustible†	Gas Corrosive††	Gas Oxygen
no	yes	yes	no	no	no	no	no	no

Pegler Yorkshire reserve the right to change specifications

## Gas application guide

Class 1. INERT Air, argon, carbon dioxide, helium, nitrogen

Class 2. COMBUSTIBLE Hydrogen, methane, natural gas, town gas

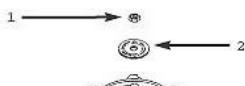
Class 3. CORROSIVE Chlorine, sulphur dioxide Class 4. OXYGEN

Class 1. INERT Air, argon, carbon dioxide, helium, nitrogen

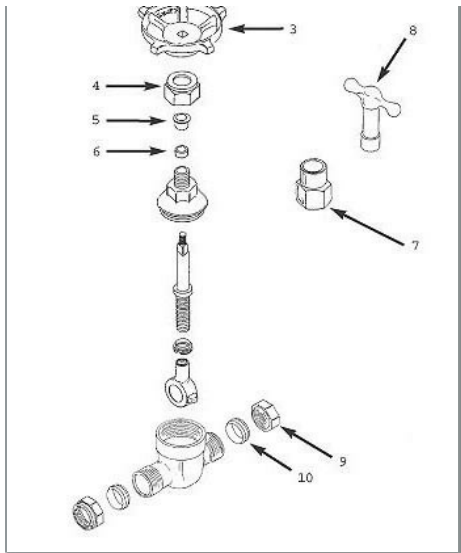
† Valves are suitable for British Gas Applications Family Gases 1, 2 and 3.

†† Suitable in applications where moisture is completely absent.

63LS Gate valve



Spare Key	Description	Code	Barcode	Date From	Date To	Price (£) ex VAT
1						
1	WN1 HANDWHEEL NUT BRASS	850481	5013866060977	01/01/1900	To	£0.94



Spare Key	Description	Code	Barcode	Date From	Date To	Price (£) ex VAT
	(M5)				Current	
1	WN1 HANDWHEEL NUT BRASS (M5)	850481	5013866060977	01/01/1900	To Current	£0.94
1	WN2 HANDWHEEL NUT BRASS (M6)	850482	5013866060984	01/01/1900	To Current	£0.94
1	WN2 HANDWHEEL NUT BRASS (M6)	850482	5013866060984	01/01/1900	To Current	£0.94

Spare Key	Description	Code	Barcode	Date From	Date To	Price (£) ex VAT
<b>2</b>						
2	RATING DISC 63 - SIZE 1	850420	5013866060540	01/01/1900	To Current	£1.07
2	RATING DISC 63 - SIZE 1	850420	5013866060540	01/01/1900	To Current	£1.07
2	RATING DISC 63 - SIZE 1	850420	5013866060540	01/01/1900	To Current	£1.07
2	RATING DISC 63 - SIZE 1	850420	5013866060540	01/01/1900	To Current	£1.07

Spare Key	Description	Code	Barcode	Date From	Date To	Price (£) ex VAT
<b>3</b>						
3	W1 HANDWHEEL (RED)	850100	5013866059513	01/01/1900	To Current	£12.90
3	W1 HANDWHEEL (RED)	850100	5013866059513	01/01/1900	To Current	£12.90
3	W3 HANDWHEEL (RED)	850101	5013866059520	01/01/1900	To Current	£12.90
3	W4 HANDWHEEL (RED)	850102	5013866059537	01/01/1900	To Current	£12.90

Spare Key	Description	Code	Barcode	Date From	Date To	Price (£) ex VAT
<b>4</b>						
4	GN11 GLAND NUT	851338	5013866063916	01/01/1900	08/03/2022	£0.00
4	GN11 GLAND NUT	851338	5013866063916	01/01/1900	08/03/2022	£0.00
4	GN8 GLAND NUT	850312	5013866059902	01/01/1900	08/03/2022	£0.00
4	GN9 GLAND NUT	850313	5013866059919	01/01/1900	08/03/2022	£0.00

Spare Key	Description	Code	Barcode	Date From	Date To	Price (£) ex VAT
<b>5</b>						
5	G16 GLAND	850485	5013866061011	01/01/1900	08/03/2022	£0.00
5	G16 GLAND	850485	5013866061011	01/01/1900	08/03/2022	£0.00
5	G17 GLAND	850486	5013866061028	01/01/1900	08/03/2022	£0.00
5	G18 GLAND	815202	5013866057274	01/01/1900	08/03/2022	£0.00
5	G16 GLAND	850485	5013866061011	01/01/1900	08/03/2022	£0.00
5	G16 GLAND	850485	5013866061011	01/01/1900	08/03/2022	£0.00
5	G17 GLAND	850486	5013866061028	01/01/1900	08/03/2022	£0.00
5	G18 GLAND	815202	5013866057274	01/01/1900	08/03/2022	£0.00
5	G19 GLAND	850487	5013866061035	01/01/1900	08/03/2022	£0.00
5	G20 GLAND	850488	5013866061042	01/01/1900	08/03/2022	£0.00

Spare Key	Description	Code	Barcode	Date From	Date To	Price (£) ex VAT
<b>6</b>						
6	GP12 GLAND PACKING	850327	5013866060021	01/01/1900	08/03/2022	£0.00
6	GP12 GLAND PACKING	850327	5013866060021	01/01/1900	08/03/2022	£0.00
6	GP8 GLAND PACKING	855241	5013866065187	01/01/1900	03/11/2022	£1.68
6	GP10 GLAND PACKING	850325	5013866060007	01/01/1900	04/10/2022	£1.68
6	GP12 GLAND PACKING	850327	5013866060021	01/01/1900	08/03/2022	£0.00
6	GP12 GLAND PACKING	850327	5013866060021	01/01/1900	08/03/2022	£0.00
6	GP8 GLAND PACKING	855241	5013866065187	01/01/1900	03/11/2022	£1.68
6	GP10 GLAND PACKING	850325	5013866060007	01/01/1900	04/10/2022	£1.68
6	GP9 GLAND PACKING	855247	5013866065200	01/01/1900	08/03/2022	£0.00
6	GP16 GLAND PACKING	855245	5013866065194	01/01/1900	04/10/2022	£2.18

Spare Key	Description	Code	Barcode	Date From	Date To	Price (£) ex VAT
<b>7</b>						
7	LS6 LOCKSHIELD	855238	5013866065170	01/01/1900	08/03/2022	£0.00
7	LS6 LOCKSHIELD	855238	5013866065170	01/01/1900	08/03/2022	£0.00
7	LS3 LOCKSHIELD	850152	5013866059681	01/01/1900	08/03/2022	£0.00

Spare Key	Description	Code	Barcode	Date From	Date To	Price (£) ex VAT
7	LS9 LOCKSHIELD	815201	5013866057267	01/01/1900	08/03/2022	£0.00
7	LS6 LOCKSHIELD	855238	5013866065170	01/01/1900	08/03/2022	£0.00
7	LS6 LOCKSHIELD	855238	5013866065170	01/01/1900	08/03/2022	£0.00
7	LS3 LOCKSHIELD	850152	5013866059681	01/01/1900	08/03/2022	£0.00
7	LS9 LOCKSHIELD	815201	5013866057267	01/01/1900	08/03/2022	£0.00
7	LS13 LOCKSHIELD	850416	5013866060502	01/01/1900	08/03/2022	£0.00
7	LS14 LOCKSHIELD	850367	5013866060250	01/01/1900	08/03/2022	£0.00

Spare Key	Description	Code	Barcode	Date From	Date To	Price (£) ex VAT
<b>8</b>						
8	K9 LOCKSHIELD KEY	850139	5013866059650	01/01/1900	To Current	£0.00
8	K9 LOCKSHIELD KEY	850139	5013866059650	01/01/1900	To Current	£0.00
8	K2 LOCKSHIELD KEY	817020	5013866058448	01/01/1900	To Current	£12.42
8	K3 LOCKSHIELD KEY	850132	5013866059612	01/01/1900	08/03/2022	£0.00
8	K9 LOCKSHIELD KEY	850139	5013866059650	01/01/1900	To Current	£0.00
8	K9 LOCKSHIELD KEY	850139	5013866059650	01/01/1900	To Current	£0.00
8	K2 LOCKSHIELD KEY	817020	5013866058448	01/01/1900	To Current	£12.42
8	K3 LOCKSHIELD KEY	850132	5013866059612	01/01/1900	08/03/2022	£0.00
8	K5 LOCKSHIELD KEY	850134	5013866059629	01/01/1900	08/03/2022	£0.00
8	K6 LOCKSHIELD KEY	850135	5013866059636	01/01/1900	08/03/2022	£0.00

Spare Key	Description	Code	Barcode	Date From	Date To	Price (£) ex VAT
<b>9</b>						
9	15MM 105 PRESTEX TYPE A BRASS CAPNUT	860097	5013866023774	01/01/1900	To Current	£4.63
9	22MM 105 PRESTEX TYPE A BRASS CAPNUT	860068	5013866023729	01/01/1900	To Current	£7.90
9	28MM 105 PRESTEX TYPE A BRASS CAPNUT	860069	5013866023736	01/01/1900	To Current	£10.81
9	35MM 105 PRESTEX TYPE A BRASS CAPNUT	860070	5013866023743	01/01/1900	To Current	£14.86
9	15MM 105 PRESTEX TYPE A BRASS CAPNUT	860097	5013866023774	01/01/1900	To Current	£4.63
9	22MM 105 PRESTEX TYPE A BRASS CAPNUT	860068	5013866023729	01/01/1900	To Current	£7.90
9	28MM 105 PRESTEX TYPE A BRASS CAPNUT	860069	5013866023736	01/01/1900	To Current	£10.81
9	35MM 105 PRESTEX TYPE A BRASS CAPNUT	860070	5013866023743	01/01/1900	To Current	£14.86
9	42MM 105 PRESTEX TYPE A BRASS CAPNUT	860071	5013866023750	01/01/1900	To Current	£22.09
9	54MM 105 PRESTEX TYPE A BRASS CAPNUT	860072	5013866023767	01/01/1900	To Current	£38.34

Spare Key	Description	Code	Barcode	Date From	Date To	Price (£) ex VAT
<b>10</b>						
10	15MM 103 BRASS CONE	860047	5013866023637	01/01/1900	To Current	£2.23
10	15MM C103 COPPER CONE	860007	5013866023514	01/09/2003	06/09/2018	£0.00
10	22MM 103 BRASS CONE	860048	5013866023644	01/01/1900	To Current	£2.99
10	22MM C103 COPPER CONE	860008	5013866023521	01/09/2003	06/09/2018	£0.00
10	28MM C103 COPPER CONE	860009	5013866023538	01/09/2003	06/09/2018	£0.00
10	28MM 103 BRASS CONE	860309	5013866024085	01/01/1900	To Current	£3.95
10	35MM C103 COPPER CONE	860010	5013866023545	01/09/2003	06/09/2018	£0.00
10	35MM 103 BRASS CONE	860050	5013866023651	01/01/1900	To Current	£5.80
10	15MM 103 BRASS CONE	860047	5013866023637	01/01/1900	To Current	£2.23
10	15MM C103 COPPER CONE	860007	5013866023514	01/09/2003	06/09/2018	£0.00
10	22MM C103 COPPER CONE	860008	5013866023521	01/09/2003	06/09/2018	£0.00
10	22MM 103 BRASS CONE	860048	5013866023644	01/01/1900	To Current	£2.99
10	28MM 103 BRASS CONE	860309	5013866024085	01/01/1900	To Current	£3.95
10	28MM C103 COPPER CONE	860009	5013866023538	01/09/2003	06/09/2018	£0.00
10	35MM C103 COPPER CONE	860010	5013866023545	01/09/2003	06/09/2018	£0.00
10	35MM 103 BRASS CONE	860050	5013866023651	01/01/1900	To Current	£5.80

Spare Key	Description	Code	Barcode	Date From	Date To	Price (£) ex VAT
10	42MM C103 COPPER CONE	860011	5013866023552	01/09/2003	06/09/2018	£0.00
10	42MM 103 BRASS CONE	860051	5013866023668	01/01/1900	To Current	£11.20
10	54MM C103 COPPER CONE	860012	5013866023569	01/09/2003	06/09/2018	£0.00
10	54MM 103 BRASS CONE	860052	5013866023675	01/01/1900	To Current	£18.00

Pegler Yorkshire Group Ltd, St Catherine's Ave, Doncaster, S Yorkshire, DN4 8DF  
 Telephone: Phone +44 (0) 844 243 4400 Fax: +44 (0) 844 243 9870 Website: [www.pegler-yorkshire.co.uk](http://www.pegler-yorkshire.co.uk)  
 Registered office : Pegler Yorkshire Group Ltd, St Catherine's Ave, Doncaster, S Yorkshire, DN4 8DF Company no : 00401507