

Pegler Valve

Stopvalve with draincock (BS 1010), crutch top copper x copper

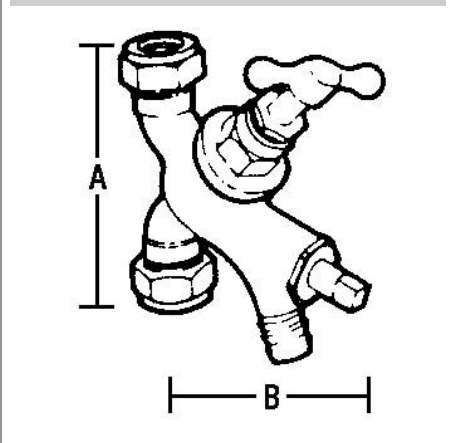
69 Stopvalve



General Information

Size	Pattern No.	Pack 1 Qty	Pack 2 Qty	Code	Barcode	Price (£) each ex VAT
15mm	GM69	1	5	503017	5022050546296	£98.57

69 Stopvalve



Dimensions

Code	Description	A	B
503017	15MM GM69 GUNMETAL STOPVLV CW DRAIN CXC 75		

Pegler Yorkshire reserve the right to change specifications

Pressure and Temperature

Description	Minimum Operating Pressure (bar)	Maximum Cold Working Pressure (bar)	Maximum Hot Working Pressure (bar)
69 Stopvalve	No Minimum Operating Pressure	16.0 bar at temperatures up to 30oC	5.0 bar at temperatures up to 120oC

Care and Maintenance

Care

No regular aesthetic care is required for this product

Maintenance

No regular maintenance is required for this product.

For any further help please contact the Service Support Team on: 0800 1560050.

Regulations

Regulations

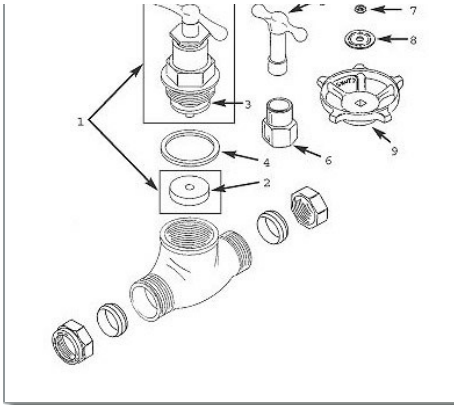
It is important to ensure that the water supplies to your fittings are connected in accordance with the water regulations (WRAS) requirements and good plumbing practice.

This product has been designed in accordance with BS1010 standard.

69 Stopvalve



Spare Key	Description	Code	Barcode	Date From	Date To	Price (£) ex VAT
						1



Spare Key	Description	Code	Barcode	Date From	Date To	Price (£) ex VAT
1	HK2 COMPLETE HEADWORK 1/2	817001	5013866058363	01/01/1900	08/03/2022	£0.00
1	HK3 COMPLETE HEADWORK 3/4	817002	5013866058370	01/01/1900	08/03/2022	£0.00
2						
2	VW17 VALVE WASHER	811209	5013866054181	01/01/1900	08/03/2022	£0.00
2	VW19 VALVE WASHER	814128	5013866056628	01/01/1900	06/09/2018	£0.00
3						
3	VWA5 VALVE WASHER ASSEMBLY	814120	5013866056567	01/01/1900	06/09/2018	£0.00
3	VWA6 VALVE WASHER ASSEMBLY	814121	5013866056574	01/01/1900	06/09/2018	£0.00
4						
4	SW3 HEAD / BODY WASHER	814133	5013866056673	01/01/1900	06/09/2018	£0.00
4	SW4 HEAD / BODY WASHER	814134	5013866056680	01/01/1900	06/09/2018	£0.00