

Pegler Prestex

Light pattern brass Bibtap, crutch top

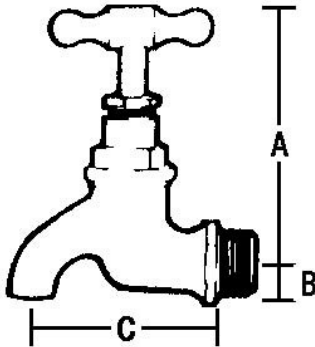
701 Bibtap



General Information

Size	Pattern No.	Pack 1 Qty	Pack 2 Qty	Code	Barcode	Price (£) each ex VAT
1/2"	701S	10	0	509011	5022050012807	£41.23
3/4"	701S	5	0	509013	5022050013866	£56.07

701 Bibtap



Dimensions

Code Description A B C

509011 1/2 701S

509013 3/4 701S

Pegler Yorkshire reserve the right to change specifications

Pressure and Temperature

Description	Minimum Operating Pressure (bar)	Maximum Cold Working Pressure (bar)	Maximum Hot Working Pressure (bar)
701 Bib tap	No Minimum Operating Pressure	10.0 bar at temperatures up to 90oC	Not Suitable for Maximum Hot Working Pressure

Care and Maintenance

Care

No regular aesthetic care is required for this product

Maintenance

No regular maintenance is required for this product.

For any further help please contact the Service Support Team on: 0800 1560050.

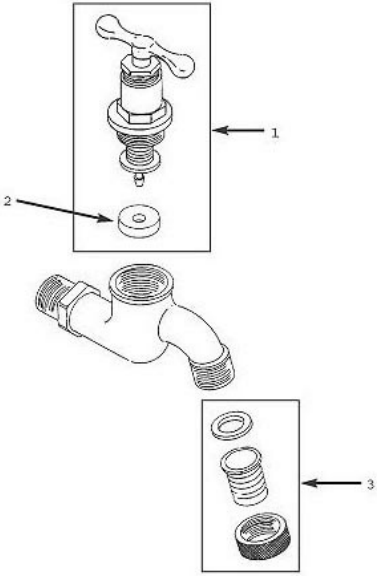
Materials

Component	Material
Body	Forged Brass
Backnut	Forged Brass
Anti-rotational washer	Polyethelene
Head	Brass Bar
Spindle	Brass Bar
Handle	Forged Brass
Valve	Brass Bar

Component Material

Gland Brass Bar
 Packing Plastic
 Seals Rubber

701 Bibtap



Spare Key	Description	Code	Barcode	Date From	Date To	Price (£) ex VAT
1						
1	HK9 COMPLETE HEADWORK 1/2	817205	5013866058691	01/01/1900	08/03/2022	£0.00
1	HK10 COMPLETE HEADWORK 3/4 - DISCONTINUED	817206	5013866058707	01/01/1900	10/04/2009	£0.00
2						
Spare Key	Description	Code	Barcode	Date From	Date To	Price (£) ex VAT
2	VW16 VALVE WASHER	811082	5013866053948	01/01/1900	08/03/2022	£0.00
2	VW17 VALVE WASHER	811209	5013866054181	01/01/1900	08/03/2022	£0.00