

Pegler Valve

Brass stopvalve (BS 1010), crutch top, female iron x female iron

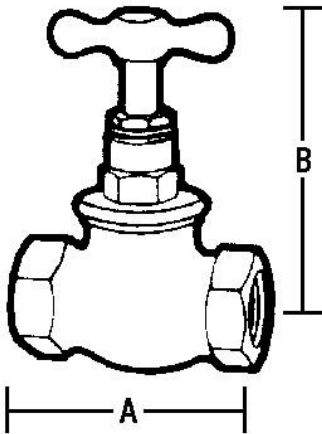
744F Stopvalve



General Information

Size	Pattern No.	Pack 1 Qty	Pack 2 Qty	Code	Barcode	Price (£) each ex VAT
1/2"	744F	1	10	513007	5022050546371	£45.81
3/4"	744F	1	5	513008	5022050546388	£69.78
1"	744F	1	4	513009	5022050546395	£114.35
1.1/4"	744F	1	2	513010	5022050546401	£207.94
1.1/2"	744F	1	0	513011	5022050545787	£260.93
2"	744F	1	0	513012	5022050545794	£404.75

744F Stopvalve



Dimensions

Code	Description	A	B
513007	1/2 744F BRASS STOPVALVE FXF	57	90 0.35
513008	3/4 744F BRASS STOPVALVE FXF	67	100 0.51
513009	1 744F BRASS STOPVALVE FXF	86	122 1.09
513010	1.1/4 744F BRASS STOPVALVE FXF	95	135 1.65
513011	1.1/2 744F BRASS STOPVALVE FXF	103	155 2.19
513012	2 744F BRASS STOPVALVE FXF	130	180 4.03

Pegler Yorkshire reserve the right to change specifications

Pressure and Temperature

Description	Minimum Operating Pressure (bar)	Maximum Cold Working Pressure (bar)	Maximum Hot Working Pressure (bar)
744F Stopvalve	No Minimum Operating Pressure	16.0 bar at temperatures up to 85oC	Not Suitable for Maximum Hot Working Pressure

Care and Maintenance

Care

No regular aesthetic care is required for this product

Maintenance

No regular maintenance is required for this product.

For any further help please contact the Service Support Team on: 0800 1560050.

Regulations

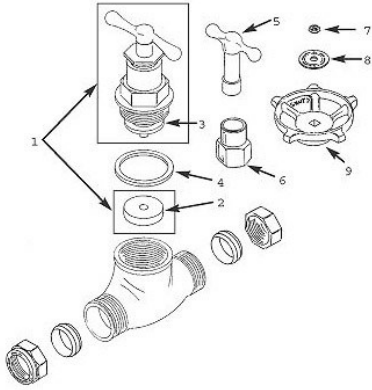
Regulations

It is important to ensure that the water supplies to your fittings are connected in accordance with the water regulations (WRAS) requirements and good plumbing practice. This product has been designed in accordance with BS1010 standard.

Materials

Component	Material
Body	Forged brass
Head	Brass
Spindle	Brass
Handle	Brass
Valve	Brass
Gland	Brass
Packing	PTFE
Seal	EPDM

744F Stopvalve



Spare Key	Description	Code	Barcode	Date From	Date To	Price (£) ex VAT
1						
1	HK2 COMPLETE HEADWORK 1/2	817001	5013866058363	01/01/1900	08/03/2022	£0.00
1	HK3 COMPLETE HEADWORK 3/4	817002	5013866058370	01/01/1900	08/03/2022	£0.00
1	HK4 COMPLETE HEADWORK 1	817003	5013866058387	01/01/1900	08/03/2022	£0.00
1	HK5 COMPLETE HEADWORK 1.1/4	817201	5013866058653	01/01/1900	08/03/2022	£0.00
1	HK6 COMPLETE HEADWORK 1.1/2	817202	5013866058660	01/01/1900	08/03/2022	£0.00
1	HK7 COMPLETE HEADWORK 2 - DISCONTINUED	817203	5013866058677	01/01/1900	To Current	£0.00
Spare Key	Description	Code	Barcode	Date From	Date To	Price (£) ex VAT
2						
2	VW17 VALVE WASHER	811209	5013866054181	01/01/1900	08/03/2022	£0.00
2	VW19 VALVE WASHER	814128	5013866056628	01/01/1900	06/09/2018	£0.00
2	VW20 VALVE WASHER	814129	5013866056635	01/01/1900	08/03/2022	£0.00
2	VW21 VALVE WASHER	814130	5013866056642	01/01/1900	08/03/2022	£0.00
2	VW22 VALVE WASHER	814164	5013866056765	01/01/1900	To Current	£6.72
2	VW23 VALVE WASHER	814132	5013866056666	01/01/1900	08/03/2022	£0.00
Spare Key	Description	Code	Barcode	Date From	Date To	Price (£) ex VAT
3						
3	VWA5 VALVE WASHER ASSEMBLY	814120	5013866056567	01/01/1900	06/09/2018	£0.00
3	VWA6 VALVE WASHER ASSEMBLY	814121	5013866056574	01/01/1900	06/09/2018	£0.00
3	VWA7 VALVE WASHER ASSEMBLY	814122	5013866056581	01/01/1900	08/03/2022	£0.00
3	VWA8 VALVE WASHER ASSEMBLY	814123	5013866056598	01/01/1900	08/03/2022	£0.00
3	VWA9 VALVE WASHER ASSEMBLY	814124	5013866056604	01/01/1900	08/03/2022	£0.00
3	VWA10 VALVE WASHER ASSEMBLY - Discontinued	814125	5013866056611	01/01/1900	08/03/2022	£0.00
Spare Key	Description	Code	Barcode	Date From	Date To	Price (£) ex VAT
4						
4	SW3 HEAD / BODY WASHER	814133	5013866056673	01/01/1900	06/09/2018	£0.00
4	SW4 HEAD / BODY WASHER	814134	5013866056680	01/01/1900	06/09/2018	£0.00
4	SW5 HEAD / BODY WASHER	814135	5013866056697	01/01/1900	To Current	£3.10
4	SW6 HEAD / BODY WASHER	814172	5013866056772	01/01/1900	05/10/2022	£5.44
4	SW7 HEAD / BODY WASHER	817181	5013866058646	01/01/1900	05/10/2022	£6.44
4	SW8 HEAD / BODY WASHER	817180	5013866058639	01/01/1900	08/03/2022	£0.00