

Pegler Valve

Brass stopvalve (BS 1010) iron wheel, female iron x female iron

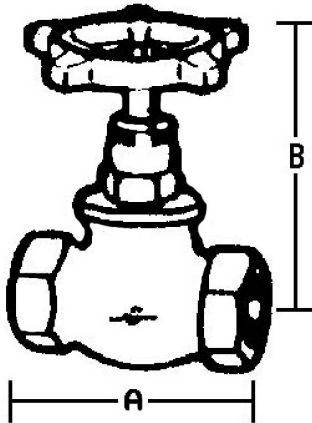
744F IW Stopvalve



General Information

Size	Pattern No.	Pack 1 Qty	Pack 2 Qty	Code	Barcode	Price (£) each ex VAT
2"	744F IW	1	0	513042	5022050545824	£428.73
3"	744F IW	1	0	513014	5022050545800	£1226.10

744F IW Stopvalve



Dimensions

Code	Description	A	B
513042 2	744F IW BRASS STOPVALVE CW IW FXF	130	180 4.03
513014 3	744F BRASS STOPVALVE FXF	184	230 7.90

Pegler Yorkshire reserve the right to change specifications

Pressure and Temperature

Description	Minimum Operating Pressure (bar)	Maximum Cold Working Pressure (bar)	Maximum Hot Working Pressure (bar)
744F IW Stopvalve	No Minimum Operating Pressure	16.0 bar at temperatures up to 85oC	Not Suitable for Maximum Hot Working Pressure

Care and Maintenance

Care
No regular aesthetic care is required for this product

Maintenance
No regular maintenance is required for this product.

For any further help please contact the Service Support Team on: 0800 1560050.

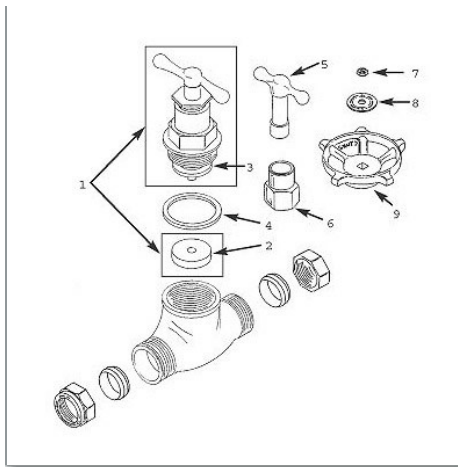
Regulations

Regulations

It is important to ensure that the water supplies to your fittings are connected in accordance with the water regulations (WRAS) requirements and good plumbing practice. This product has been designed in accordance with BS1010 standard.

744F IW Stopvalve

Spare Key	Description	Code	Barcode	Date From	Date To	Price (£) ex
-----------	-------------	------	---------	-----------	---------	--------------



							VAT
1							
1	HK2 COMPLETE HEADWORK 1/2	817001	5013866058363	01/01/1900	08/03/2022	£0.00	
1	HK3 COMPLETE HEADWORK 3/4	817002	5013866058370	01/01/1900	08/03/2022	£0.00	
1	HK4 COMPLETE HEADWORK 1	817003	5013866058387	01/01/1900	08/03/2022	£0.00	
1	HK5 COMPLETE HEADWORK 1.1/4	817201	5013866058653	01/01/1900	08/03/2022	£0.00	
1	HK6 COMPLETE HEADWORK 1.1/2	817202	5013866058660	01/01/1900	08/03/2022	£0.00	
1	HK7 COMPLETE HEADWORK 2 - DISCONTINUED	817203	5013866058677	01/01/1900	To Current	£0.00	

Spare Key	Description	Code	Barcode	Date From	Date To	Price (£) ex VAT
2						
2	VW17 VALVE WASHER	811209	5013866054181	01/01/1900	08/03/2022	£0.00
2	VW19 VALVE WASHER	814128	5013866056628	01/01/1900	06/09/2018	£0.00
2	VW20 VALVE WASHER	814129	5013866056635	01/01/1900	08/03/2022	£0.00
2	VW21 VALVE WASHER	814130	5013866056642	01/01/1900	08/03/2022	£0.00
2	VW22 VALVE WASHER	814164	5013866056765	01/01/1900	To Current	£6.72
2	VW23 VALVE WASHER	814132	5013866056666	01/01/1900	08/03/2022	£0.00

Spare Key	Description	Code	Barcode	Date From	Date To	Price (£) ex VAT
3						
3	VWA5 VALVE WASHER ASSEMBLY	814120	5013866056567	01/01/1900	06/09/2018	£0.00
3	VWA6 VALVE WASHER ASSEMBLY	814121	5013866056574	01/01/1900	06/09/2018	£0.00
3	VWA7 VALVE WASHER ASSEMBLY	814122	5013866056581	01/01/1900	08/03/2022	£0.00
3	VWA8 VALVE WASHER ASSEMBLY	814123	5013866056598	01/01/1900	08/03/2022	£0.00
3	VWA9 VALVE WASHER ASSEMBLY	814124	5013866056604	01/01/1900	08/03/2022	£0.00
3	VWA10 VALVE WASHER ASSEMBLY - Discontinued	814125	5013866056611	01/01/1900	08/03/2022	£0.00

Spare Key	Description	Code	Barcode	Date From	Date To	Price (£) ex VAT
4						
4	SW3 HEAD / BODY WASHER	814133	5013866056673	01/01/1900	06/09/2018	£0.00
4	SW4 HEAD / BODY WASHER	814134	5013866056680	01/01/1900	06/09/2018	£0.00
4	SW5 HEAD / BODY WASHER	814135	5013866056697	01/01/1900	To Current	£3.10
4	SW6 HEAD / BODY WASHER	814172	5013866056772	01/01/1900	05/10/2022	£5.44
4	SW7 HEAD / BODY WASHER	817181	5013866058646	01/01/1900	05/10/2022	£6.44
4	SW8 HEAD / BODY WASHER	817180	5013866058639	01/01/1900	08/03/2022	£0.00

Spare Key	Description	Code	Barcode	Date From	Date To	Price (£) ex VAT
7						
7	WN1 HANDWHEEL NUT BRASS (M5)	850481	5013866060977	01/01/1900	To Current	£0.94
7	WN2 HANDWHEEL NUT BRASS (M6)	850482	5013866060984	01/01/1900	To Current	£0.94
7	WN2 HANDWHEEL NUT BRASS (M6)	850482	5013866060984	01/01/1900	To Current	£0.94
7	WN2 HANDWHEEL NUT BRASS (M6)	850482	5013866060984	01/01/1900	To Current	£0.94
7	WN2 HANDWHEEL NUT BRASS (M6)	850482	5013866060984	01/01/1900	To Current	£0.94
7	WN3 HANDWHEEL NUT BRASS (5/16 UNC)	851411	5013866063923	01/01/1900	08/03/2022	£0.00

Spare Key	Description	Code	Barcode	Date From	Date To	Price (£) ex VAT
8						
8	RATING DISC (PEGLER ENGLAND) SIZE 1	850417	5013866060519	01/01/1900	08/03/2022	£0.00
8	RATING DISC (PEGLER ENGLAND) SIZE 1	850417	5013866060519	01/01/1900	08/03/2022	£0.00
8	RATING DISC (PEGLER ENGLAND) SIZE 1	850417	5013866060519	01/01/1900	08/03/2022	£0.00
8	RATING DISC (PEGLER ENGLAND) SIZE 1	850417	5013866060519	01/01/1900	08/03/2022	£0.00
8	RATING DISC (PEGLER ENGLAND) SIZE 1	850417	5013866060519	01/01/1900	08/03/2022	£0.00
8	RATING DISC (PEGLER ENGLAND) SIZE 2	850418	5013866060526	01/01/1900	04/10/2022	£2.18

Spare Key	Description	Code	Barcode	Date From	Date To	Price (£) ex VAT
9						
9	W1 HANDWHEEL (RED)	850100	5013866059513	01/01/1900	To Current	£12.90
9	W3 HANDWHEEL (RED)	850101	5013866059520	01/01/1900	To Current	£12.90
9	W5 HANDWHEEL (RED)	850103	5013866059544	01/01/1900	To Current	£12.90
9	W6 HANDWHEEL (RED)	850104	5013866059551	01/01/1900	To Current	£20.44
9	W7 HANDWHEEL (RED)	850105	5013866059568	01/01/1900	To Current	£20.44
9	W8 HANDWHEEL (RED)	850106	5013866059575	01/01/1900	To Current	£20.44

Pegler Yorkshire Group Ltd, St Catherine's Ave, Doncaster, S Yorkshire, DN4 8DF
 Telephone: Phone +44 (0) 844 243 4400 Fax: +44 (0) 844 243 9870 Website: www.pegler.yorkshire.co.uk
 Registered office : Pegler Yorkshire Group Ltd, St Catherine's Ave, Doncaster, S Yorkshire, DN4 8DF Company no : 00401507