

Pegler Valve

Chromium plated straight pattern brass service valve, copper x swivel union

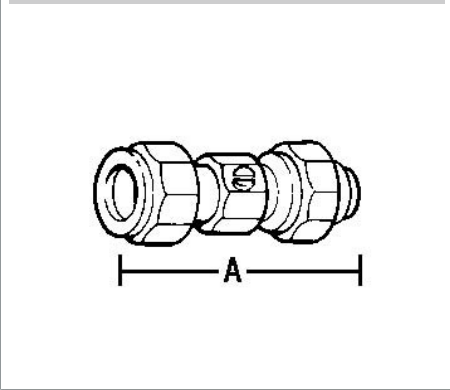
806 Ball valve



General Information

Size	Pattern No.	Pack 1 Qty	Pack 2 Qty	Code	Barcode	Price (£) each ex VAT
15mm x 1/2"	806	25	100	<u>521007</u>	5013866016981	£14.72

806 Ball valve



Dimensions

Code	Description	A	B	Kg
521007	15MMX1/2 806 CP BRASS SERVICE VALVE CXSW	57	0	0

Pegler Yorkshire reserve the right to change specifications

Pressure and Temperature

Description	Minimum Operating Pressure (bar)	Maximum Cold Working Pressure (bar)	Maximum Hot Working Pressure (bar)
806 Ball valve	No Minimum Operating Pressure	16.0 bar at temperatures up to 30oC	5.0 bar at temperatures up to 120oC

Care and Maintenance

Care

No regular aesthetic care is required for this product

Maintenance

No regular maintenance is required for this product.

For any further help please contact the Service Support Team on: 0800 1560050.

Regulations

Regulations

It is important to ensure that the water supplies to your fitting are connected in accordance with the water regulations (WRAS) requirements and good plumbing practice. This product has been designed in accordance with BS6675 standard.

The servicing valve should be fitted as close to the terminal fitting it is isolating, to avoid waste and misuse.