

# Pegler Valve

Chromium plated tee pattern brass washing machine tap, hot or cold, copper x male iron

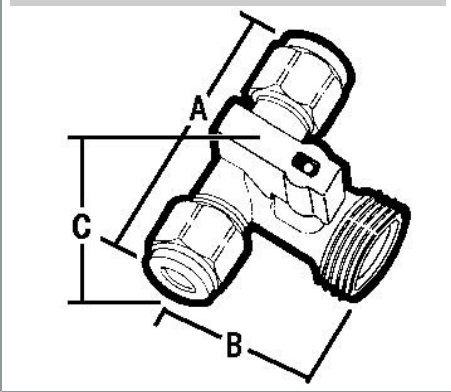
809T Ball valve



## General Information

Size	Pattern No.	Pack 1 Qty	Pack 2 Qty	Code	Barcode	Price (£) each ex VAT
15mm x 3/4"	809T	20	0	<a href="#">524010</a>	5013866017056	£16.94

809T Ball valve



## Dimensions

Code	Description	A	B	C
524010	15MMX3/4 809T CP TEE PATT WM TAP CXM	56	39	28 0.14

Pegler Yorkshire reserve the right to change specifications

## Pressure and Temperature

Description	Minimum Operating Pressure (bar)	Maximum Cold Working Pressure (bar)	Maximum Hot Working Pressure (bar)
809T Ball valve	No Minimum Operating Pressure	16.0 bar at temperatures up to 30oC	5.0 bar at temperatures up to 120oC

## Care and Maintenance

### Care

No regular aesthetic care is required for this product

### Maintenance

No regular maintenance is required for this product.

For any further help please contact the Service Support Team on: 0800 1560050.

## Regulations

### Regulations

It is important to ensure that the water supplies to your fitting are connected in accordance with the water regulations (WRAS) requirements and good plumbing practice. This product has been designed in accordance with BS6675 standard.

The servicing valve should be fitted as close to the terminal fitting it is isolating, to avoid waste and misuse.