

Pegler Valve

Brass Draincock Type A to BS 2879/2 Male Taper thread to BS 21

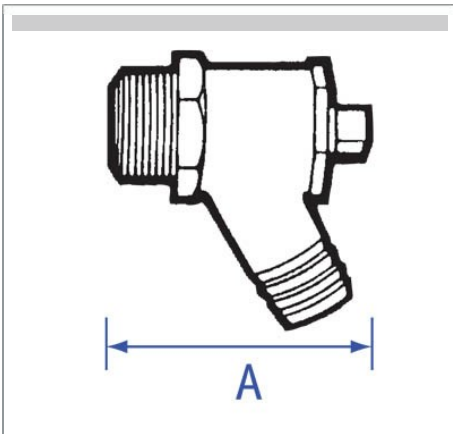


General Information

Key Features

- Kitemark BS2879

Size	Pattern No.	Pack 1 Qty	Pack 2 Qty	Code	Barcode	Price (£) each ex VAT
1/2"	833	20	0	542007	5013866017285	£17.05
3/4"	833	10	0	542008	5013866017292	£33.72



Dimensions

Code	Description	A	B	Kg
542007	1/2" 833 BRASS TYPE A DRAINCOCK 55			
542008	3/4" 833 BRASS TYPE A DRAINCOCK 63			

Pegler Yorkshire reserve the right to change specifications

Pressure and Temperature

Description	Minimum Operating Pressure (bar)	Maximum Cold Working Pressure (bar)	Maximum Hot Working Pressure (bar)
833 Brass Drain cock	No Minimum Operating Pressure	20.0 bar at temperatures up to 120oC	Not Suitable for Maximum Hot Working Pressure

Materials

Component	Material
Body	Brass
Headwork	Brass
Spindle	Brass
Washer	EPDM
Spindle O Ring	EPDM
Cap O Ring	EPDM
LS Cover	Brass

Technical Suitability

Steam	Water	Oil	Air	Gas	Inert Gas	Combustible†	Corrosive††	Gas Oxygen
no	yes	yes	no	no	no	no	no	no

Pegler Yorkshire reserve the right to change specifications

Gas application guide

Class 1. INERT Air, argon, carbon dioxide, helium, nitrogen

Class 2. COMBUSTIBLE Hydrogen, methane, natural gas, town gas

Class 3. CORROSIVE Chlorine, sulphur dioxide Class 4. OXYGEN

Class 1. INERT Air, argon, carbon dioxide, helium, nitrogen

† Valves are suitable for British Gas Applications Family Gases 1, 2 and 3.

†† Suitable in applications where moisture is completely absent.



Spare Key	Description	Code	Barcode	Date From	Date To	Price (£) ex VAT
1						
1	VW25 VALVE WASHER	817100	5013866058516	01/01/1900	To Current	£1.31
1	VW17 VALVE WASHER	811209	5013866054181	01/01/1900	08/03/2022	£0.00