

Pegler Valve

Draincock type B, male taper thread to BS 21

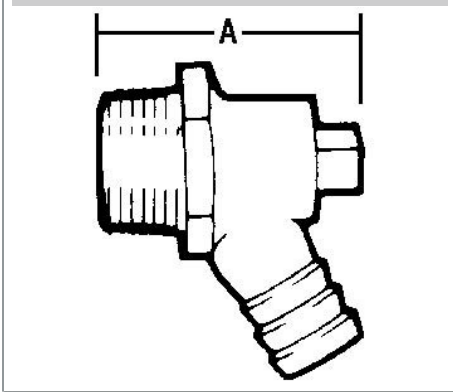
834 Draincock



General Information

Size	Pattern No.	Pack 1 Qty	Pack 2 Qty	Code	Barcode	Price (£) each ex VAT
1/2"	834	25	0	543007	5013866017339	£13.40

834 Draincock



Dimensions

Code	Description	A
543007	1/2 834 BRASS TYPE B DRAINCOCK 39	

Pegler Yorkshire reserve the right to change specifications

Pressure and Temperature

Description	Minimum Operating Pressure (bar)	Maximum Cold Working Pressure (bar)	Maximum Hot Working Pressure (bar)
834 Draincock	No Minimum Operating Pressure	20.0 bar at temperatures up to 120oC	Not Suitable for Maximum Hot Working Pressure

Care and Maintenance

Care

No regular aesthetic care is required for this product

Maintenance

No regular maintenance is required for this product.

For any further help please contact the Service Support Team on: 0800 1560050.

Regulations

Regulations

It is important to ensure that the water supplies to your shower are connected in accordance with the water regulations (WRAS) requirements and good plumbing practice.

This product has been designed in accordance with BS2879 and Kitemark standard.

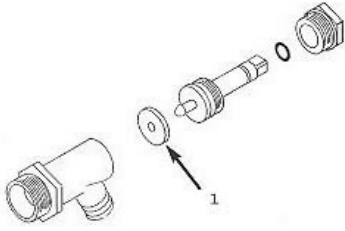
Materials

Component Material

Component Material

Body Brass

834 Draincock



Spare Key	Description	Code	Barcode	Date From	Date To	Price (£) ex VAT
1						
1	VW25 VALVE WASHER	817100	5013866058516	01/01/1900	To Current	£1.31
1	VW17 VALVE WASHER	811209	5013866054181	01/01/1900	08/03/2022	£0.00

Pegler Yorkshire Group Ltd, St Catherine's Ave, Doncaster, S Yorkshire, DN4 8DF
Telephone: Phone +44 (0) 844 243 4400 Fax: +44 (0) 844 243 9870 Website: www.pegler-yorkshire.co.uk
Registered office : Pegler Yorkshire Group Ltd, St Catherine's Ave, Doncaster, S Yorkshire, DN4 8DF Company no : 00401507