

Pegler Valve

Float valve bronze seat, BS 1212-1part 1, low pressure

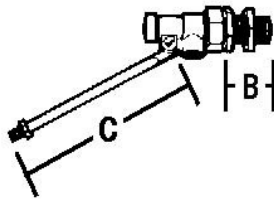
859B Float valve



General Information

Size	Pattern No.	Pack 1 Qty	Pack 2 Qty	Code	Barcode	Price (£) each ex VAT	Discontinued	Date Discontinued
1/2"	859B	10	0	515037	5013866016745	Disc(Stock available)	Discontinued	03/07/2021

859B Float valve



Dimensions

Code Description A B C

Pegler Yorkshire reserve the right to change specifications

Pressure and Temperature

Description	Minimum Operating Pressure (bar)	Maximum Cold Working Pressure (bar)	Maximum Hot Working Pressure (bar)
859B Float valve	No Minimum Operating Pressure	14.0 bar at temperatures up to 85oC	Not Suitable for Maximum Hot Working Pressure

Care and Maintenance

Care

No regular aesthetic care is required for this product

Maintenance

No regular maintenance is required for this product.

For any further help please contact the Service Support Team on: 0800 1560050.

Regulations

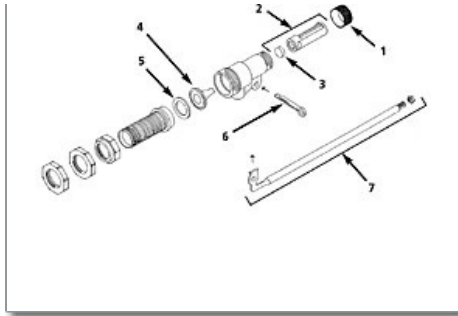
Regulations

It is important to ensure that the water supplies to your fittings are connected in accordance with the water regulations (WRAS) requirements and good plumbing practice.

This product has been designed in accordance with BS1212 part 1 standard.

859B Float valve

Spare Key	Description	Code	Barcode	Date From	Date To	Price (£) ex VAT
1						
1	BC2 BODY CAP	816048	5013866057557	01/01/1900	08/03/2022	£0.00



Spare Key	Description	Code	Barcode	Date From	Date To	Price (£) ex VAT
1	BC3 BODY CAP	816013	5013866057397	01/01/1900	To Current	£12.90
1	BC4 BODY CAP	816014	5013866057403	01/01/1900	To Current	£32.31
1	BC5 BODY CAP	816015	5013866057410	01/01/1900	To Current	£73.09
1	BC5 BODY CAP	816015	5013866057410	01/01/1900	To Current	£73.09
1	BC6 BODY CAP	816016	5013866057427	01/01/1900	To Current	£77.40
1	BC2 BODY CAP	816048	5013866057557	01/01/1900	08/03/2022	£0.00

Spare Key	Description	Code	Barcode	Date From	Date To	Price (£) ex VAT
2						
2	P7 PISTON (BRONZE)	816201	5013866058134	01/01/1900	08/03/2022	£0.00
2	P3 PISTON (BRASS)	816210	5013866058158	01/01/1900	08/03/2022	£0.00
2	P4 PISTON (BRONZE)	816010	5013866057366	01/01/1900	08/03/2022	£0.00
2	P5 PISTON (BRONZE)	816011	5013866057373	01/01/1900	To Current	£158.97
2	P5 PISTON (BRONZE)	816011	5013866057373	01/01/1900	To Current	£158.97
2	P6 PISTON (BRONZE)	816012	5013866057380	01/01/1900	To Current	£227.76
2	P7 PISTON (BRONZE)	816201	5013866058134	01/01/1900	08/03/2022	£0.00

Spare Key	Description	Code	Barcode	Date From	Date To	Price (£) ex VAT
3						
3	VW6 PISTON WASHER	816228	5013866058233	01/01/1900	To Current	£1.31
3	VW2 PISTON WASHER	816221	5013866058172	01/01/1900	08/03/2022	£0.00
3	VW3 PISTON WASHER	816222	5013866058189	01/01/1900	08/03/2022	£0.00
3	VW4 PISTON WASHER	816223	5013866058196	01/01/1900	To Current	£17.67
3	VW4 PISTON WASHER	816223	5013866058196	01/01/1900	To Current	£17.67
3	VW5 PISTON WASHER	816225	5013866058202	01/01/1900	To Current	£27.10
3	VW6 PISTON WASHER	816228	5013866058233	01/01/1900	To Current	£1.31

Spare Key	Description	Code	Barcode	Date From	Date To	Price (£) ex VAT
4						
4	ST6 FLOATVALVE SEAT - BRONZE (3/8)	816020	5013866057441	01/01/1900	08/03/2022	£0.00
4	ST10 FLOATVALVE SEAT - BRONZE (1/2)	816021	5013866057458	01/01/1900	08/03/2022	£0.00
4	ST14 FLOATVALVE SEAT - BRONZE (5/8)	816022	5013866057465	01/01/1900	08/03/2022	£0.00
4	ST16 FLOATVALVE SEAT - BRONZE (15/16) - DISCONTINUED	816033	5013866057526	01/01/1900	02/01/2013	£0.00
4	ST16 FLOATVALVE SEAT - BRONZE (15/16) - DISCONTINUED	816033	5013866057526	01/01/1900	02/01/2013	£0.00
4	ST18 FLOATVALVE SEAT - BRONZE (1.1/4)	816025	5013866057489	01/01/1900	08/03/2022	£0.00
4	ST6 FLOATVALVE SEAT - BRONZE (3/8)	816020	5013866057441	01/01/1900	08/03/2022	£0.00

Spare Key	Description	Code	Barcode	Date From	Date To	Price (£) ex VAT
5						
5	SW17 SEAT WASHER	816090	5013866057649	01/01/1900	08/03/2022	£0.00
5	SW18 SEAT WASHER	816091	5013866057656	01/01/1900	08/03/2022	£0.00
5	SW19 SEAT WASHER	816092	5013866057663	01/01/1900	08/03/2022	£0.00
5	SW20 SEAT WASHER	816093	5013866057670	01/01/1900	To Current	£5.43
5	SW21 SEAT WASHER	816094	5013866057687	01/01/1900	To Current	£6.44
5	SW22 SEAT WASHER	816095	5013866057694	01/01/1900	To Current	£10.32
5	SW17 SEAT WASHER	816090	5013866057649	01/01/1900	08/03/2022	£0.00

Spare Key	Description	Code	Barcode	Date From	Date To	Price (£) ex VAT
6						
6	CTP1 SPLIT COTTER PIN	816240	5013866058271	01/01/1900	08/03/2022	£0.00
6	CTP3 SPLIT COTTER PIN	816241	5013866058288	01/01/1900	08/03/2022	£0.00
6	CTP4 SPLIT COTTER PIN	816242	5013866058295	01/01/1900	08/03/2022	£0.00
6	CTP5 SPLIT COTTER PIN	816243	5013866058301	01/01/1900	To Current	£20.18
6	CTP5 SPLIT COTTER PIN	816243	5013866058301	01/01/1900	To Current	£20.18
6	CTP6 SPLIT COTTER PIN	816245	5013866058318	01/01/1900	To Current	£21.54
6	CTP1 SPLIT COTTER PIN	816240	5013866058271	01/01/1900	08/03/2022	£0.00

Spare Key	Description	Code	Barcode	Date From	Date To	Price (£) ex VAT
7						
7	LA1 FLOATVALVE LEVER ARM ASSEMBLY	816060	5013866057564	01/01/1900	08/03/2022	£0.00
7	LA2 FLOATVALVE LEVER ARM ASSEMBLY	816061	5013866057571	01/01/1900	08/03/2022	£0.00
7	LA9 FLOATVALVE LEVER ARM ASSEMBLY	816073	5013866057618	01/01/1900	08/03/2022	£0.00
7	LA10 FLOATVALVE LEVER ARM ASSEMBLY	816074	5013866057625	01/01/1900	To Current	£111.74
7	LA10 FLOATVALVE LEVER ARM ASSEMBLY	816074	5013866057625	01/01/1900	To Current	£111.74
7	LA11 FLOATVALVE LEVER ARM ASSEMBLY	816075	5013866057632	01/01/1900	To Current	£163.34
7	LA6 FLOATVALVE LEVER ARM ASSEMBLY	816065	5013866057588	01/01/1900	To Current	£12.90

Pegler Yorkshire Group Ltd, St Catherine's Ave, Doncaster, S Yorkshire, DN4 8DF
 Telephone: Phone +44 (0) 844 243 4400 Fax: +44 (0) 844 243 9870 Website: www.pegleryorkshire.co.uk
 Registered office : Pegler Yorkshire Group Ltd, St Catherine's Ave, Doncaster, S Yorkshire, DN4 8DF Company no : 00401507