

Pegler Valve

Concealed chromium plated. Brass stopvalve, hot or cold Female iron x female iron

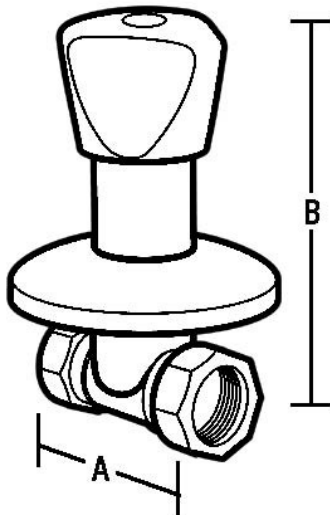
89 Stopvalve



General Information

Size	Pattern No.	Pack 1 Qty	Pack 2 Qty	Code	Barcode	Price (£) each ex VAT
1/2"	89	1	0	510100	5022050545763	£59.59
3/4"	89	1	0	510101	5022050545770	£90.66

89 Stopvalve



Dimensions

Code	Description	A	B
510100	1/2 89 BRASS STOPVALVE FXF (CON/FIT)	54	104 0.35
510101	3/4 89 BRASS STOPVALVE FXF (CON/FIT)	59	104 0.40

Pegler Yorkshire reserve the right to change specifications

Pressure and Temperature

Description	Minimum Operating Pressure (bar)	Maximum Cold Working Pressure (bar)	Maximum Hot Working Pressure (bar)
89 Stopvalve	No Minimum Operating Pressure	16.0 bar at temperatures up to 85oC	Not Suitable for Maximum Hot Working Pressure

Care and Maintenance

Care

No regular aesthetic care is required for this product

Maintenance

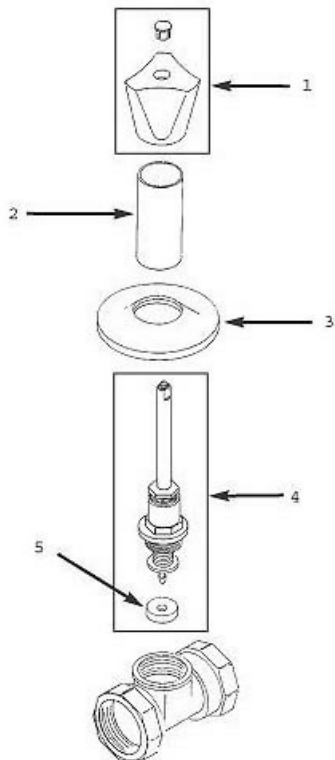
No regular maintenance is required for this product.

For any further help please contact the Service Support Team on: 0800 1560050.

Materials

Component	Material
Body	Brass
Headwork	Brass
Sleeve	Chrome plated brass
Jumper washer	Nitrile rubber
Handle	Chrome plated zinc alloy
Indice	Plastic

89 Stopvalve



Spare Key	Description	Code	Barcode	Date From	Date To	Price (£) ex VAT
1						
1	HD28CP HANDLE (CHROME)	817122	5013866058554	01/01/1900	To Current	£8.58
1	HD28CP HANDLE (CHROME)	817122	5013866058554	01/01/1900	To Current	£8.58
2						
2	SL6CP CHROME SLEEVE	817121	5013866058547	01/01/1900	To Current	£3.92
2	SL6CP CHROME SLEEVE	817121	5013866058547	01/01/1900	To Current	£3.92
3						
3	CNP1CP CONCEALING PLATE CHROME	817120	5013866058530	01/01/1900	To Current	£6.44
3	CNP1CP CONCEALING PLATE CHROME	817120	5013866058530	01/01/1900	To Current	£6.44
4						
4	HK12 COMPLETE HEADWORK 1/2	817208	5013866058721	01/01/1900	08/03/2022	£0.00
4	HK12 COMPLETE HEADWORK 1/2	817208	5013866058721	01/01/1900	08/03/2022	£0.00
5						
5	VW16 VALVE WASHER	811082	5013866053948	01/01/1900	08/03/2022	£0.00
5	VW17 VALVE WASHER	811209	5013866054181	01/01/1900	08/03/2022	£0.00