

Pegler Proflow

Venturi DZR commissioning valve (FODRV). ISO 7/1 parallel threads

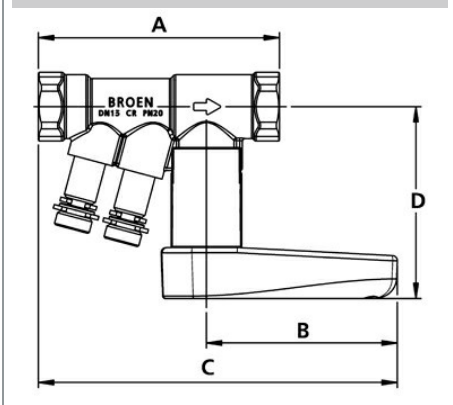
900S Venturi commissioning valve



General Information

Size	Pattern No.	Pack 1 Qty	Pack 2 Qty	Code	Barcode	Price (£) each ex VAT
1/2" (UL)	900SUL	1	5	15008	5708537443295	£128.02
1/2" (SL)	900SL	1	5	15006	5708537328882	£111.10
1/2" (SS)	900SS	1	5	15000	5708537328899	£111.13
1/2" (SH)	900SH	1	5	16404	5708537328875	£111.10
3/4" (SL)	900SL	1	5	15007	5708537330656	£149.79
3/4" (SS)	900SS	1	5	15001	5708537330670	£149.79
3/4" (SH)	900SH	1	5	16405	5708537330632	£149.79
1" (SS)	900SS	1	4	15002	5708537332612	£178.14
1" (SH)	900SH	1	5	15181	5708537332582	£178.14
1 1/4" (SH)	900SH	1	2	15003	5708537347456	£232.66
1 1/2" (SH)	900SH	1	2	15004	5708537347524	£303.27
2" (SH)	900SH	1	0	15005	5708537347579	£433.66

900S Venturi commissioning valve



Dimensions

Code	Description	A	B	C	D
15008	1/2" 900SUL	94	75	140	76
15006	1/2" 900SL	94	75	140	76
15000	1/2" 900SS	94	75	140	76
16404	1/2" 900SH	94	75	140	76
15007	3/4" 900SL	100	75	144	79
15001	3/4" 900SS	100	75	144	79
16405	3/4" 900SH	100	75	144	79
15002	1" 900SS	112	75	150	83
15181	1" 900SH	112	75	150	83
15003	1 1/4" 900SH	130	122	208	109
15004	1 1/2" 900SH	140	122	213	113
15005	2" 900SH	156	122	221	120

Pegler Yorkshire reserve the right to change specifications

Flow Rate

Size	Pattern No.	Code	Kvs m3/h	Kv m3/h	Loss Factor
1/2" (UL)	900SUL	15008	0.163	0.23	0.46
1/2" (SL)	900SL	15006	0.359	0.629	0.33
1/2" (SS)	900SS	15000	0.746	1.620	0.21
1/2" (SH)	900SH	16404	1.560	2.490	0.39
3/4" (SL)	900SL	15007	0.746	1.430	0.27
3/4" (SS)	900SS	15001	1.560	2.820	0.31
3/4" (SH)	900SH	16405	2.950	5.720	0.27
1" (SS)	900SS	15002	2.950	7.540	0.15
1" (SH)	900SH	15181	6.010	12.100	0.25
1 1/4" (SH)	900SH	15003	6.010	13.200	0.21
1 1/2" (SH)	900SH	15004	9.200	22.000	0.17
2" (SH)	900SH	15005	17.100	36.000	0.23

Guarantee

Pegler 5 Year Guarantee - Terms and Conditions

Products are subject to a 5 year guarantee that is between Pegler and the final purchaser of the product.

The guarantee is subject to proof of purchase being supplied.

This guarantee does not affect any statutory rights the consumer may have in law.

The guarantee covers manufacturing or material defects when installed in accordance with our instructions on specified tube materials and applications, and does not cover parts subject to normal wear and tear.

This product range has been designed for the use of homeowners, domestic and commercial applications and therefore the Guarantee is subject to the product being properly selected for their intended service conditions.

The guarantee is not applicable where the product is fitted contrary to the conditions in the fitting instructions.

This is reinforced where valves are covered by the European Pressure Equipment Directive (PED97/23/EC) where Installation, Operating and Maintenance Instructions are supplied with each product and/or carton.

Provided it is installed correctly and receives adequate preventative maintenance it should give years of trouble-free service.

Abusive behaviour and accidental damage to the product are not covered by this guarantee.

The extent of this liability is limited to the cost of the replacement of the defective item and not to installation or consequential damages.

Materials

Component	Material
Body	DZR brass
Spindle	DZR brass
Venturi, ball, needle	DZR brass, chrome plated
Seals	PTFE
'O' rings	EPDM
Handle	Polyamide
Measuring P/T plug	DZR brass

Technical Suitability

Steam	Water	Oil	Air	Gas	Inert Gas	Combustible†	Gas Corrosive††	Gas Oxygen
no	yes	no	no	no	no	no	no	no

Pegler Yorkshire reserve the right to change specifications

Gas application guide

Class 1. INERT Air, argon, carbon dioxide, helium, nitrogen

Class 2. COMBUSTIBLE Hydrogen, methane, natural gas, town gas

Class 3. CORROSIVE Chlorine, sulphur dioxide Class 4. OXYGEN

Class 1. INERT Air, argon, carbon dioxide, helium, nitrogen

† Valves are suitable for British Gas Applications Family Gases 1, 2 and 3.

†† Suitable in applications where moisture is completely absent.