

Pegler Valve

Float valve, Equilibrium pattern, reduced bore

901 Float valve

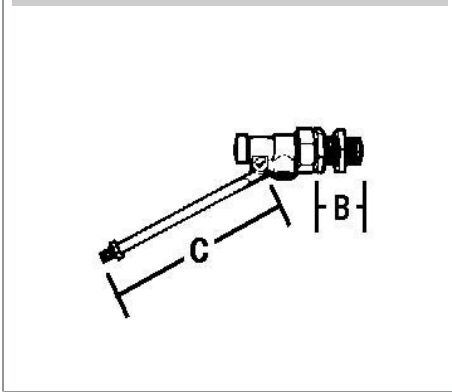


General Information

Size	Pattern No.	Pack 1 Qty	Pack 2 Qty	Code	Barcode	Price (£) each ex VAT
1/2"	901	1	32	520007	5022050546463	£90.88
3/4"	901	1	5	520008	5022050546470	£139.62
1"	901	1	12	520009	5022050545862	£272.86

[Float & Float Valve Matrix Information download](#)

901 Float valve



Dimensions

Code	Description	A	Bore	B	C
520007	1/2 901	3/8"	1.1/4"	11"	0.52
520008	3/4 901	1/2"	1.1/4"	13"	0.81
520009	1 901	3/4"	1.1/2"	10.1/16"	1.65

Pegler Yorkshire reserve the right to change specifications

Pressure and Temperature

Description	Minimum Operating Pressure (bar)	Maximum Cold Working Pressure (bar)	Maximum Hot Working Pressure (bar)
901 Equilibrium Float valve	No Minimum Operating Pressure	14.0 bar at temperatures up to 85oC	Not Suitable for Maximum Hot Working Pressure

Care and Maintenance

Care

No regular aesthetic care is required for this product

Maintenance

No regular maintenance is required for this product.

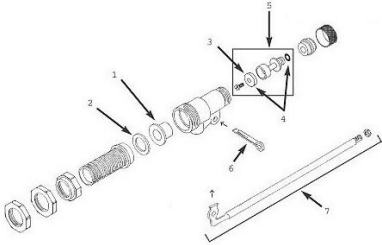
For any further help please contact the Service Support Team on: 0800 1560050.

Materials

Component	Material
Body	Brass
Inlet shank	Brass
Coupling nut	Brass
Joint washer	Fibre (non asbestos)
Seat	Bronze
Piston	Brass

Component	Material
Piston guide	Brass
Piston O ring	EPDM rubber
Retaining cap	Brass
Piston washer	Rubber
Fixed flange backnut	Brass
Spigot backnut	Brass
Split pin	Brass
Lever	Brass
Lever nut	Brass

901 Float valve



Spare Key	Description	Code	Barcode	Date From	Date To	Price (£) ex VAT
1						
1	ST6 FLOATVALVE SEAT - BRONZE (3/8)	816020	5013866057441	01/01/1900	08/03/2022	£0.00
1	ST10 FLOATVALVE SEAT - BRONZE (1/2)	816021	5013866057458	01/01/1900	08/03/2022	£0.00
1	ST21 FLOATVALVE SEAT - BRONZE	816107	5013866057779	01/01/1900	To Current	£24.33
2						
2	SW17 SEAT WASHER	816090	5013866057649	01/01/1900	08/03/2022	£0.00
2	SW18 SEAT WASHER	816091	5013866057656	01/01/1900	08/03/2022	£0.00
2	SW25 SEAT WASHER	816104	5013866057748	01/01/1900	To Current	£3.01
3						
3	VW7 PISTON WASHER	816226	5013866058219	01/01/1900	To Current	£1.31
3	VW8 PISTON WASHER	816227	5013866058226	01/01/1900	To Current	£2.59
3	VW9 PISTON WASHER	816229	5013866058240	01/01/1900	To Current	£7.08
4						
4	WOR7 WASHER & O RING SET	817219	5013866058790	01/01/1900	08/03/2022	£0.00
4	WOR8 WASHER & O RING SET	817220	5013866058806	01/01/1900	08/03/2022	£0.00
4	WOR9 WASHER & O RING SET	816100	5013866057700	01/01/1900	To Current	£15.88
5						
5	P8 PISTON ASSEMBLY	817213	5013866058769	01/01/1900	08/03/2022	£0.00
5	P9 PISTON ASSEMBLY	817214	5013866058776	01/01/1900	08/03/2022	£0.00
5	P10 PISTON ASSEMBLY	816114	5013866057847	01/01/1900	To Current	£96.70
6						
6	CTP1 SPLIT COTTER PIN	816240	5013866058271	01/01/1900	08/03/2022	£0.00
6	CTP3 SPLIT COTTER PIN	816241	5013866058288	01/01/1900	08/03/2022	£0.00
6	CTP4 SPLIT COTTER PIN	816242	5013866058295	01/01/1900	08/03/2022	£0.00
7						
7	LA8 FLOATVALVE LEVER ARM ASSEMBLY	816072	5013866057601	01/01/1900	To Current	£11.21
7	LA12 FLOATVALVE LEVER ARM ASSEMBLY	817210	5013866058745	01/01/1900	To Current	£16.83
7	LA13 FLOATVALVE LEVER ARM ASSEMBLY	816111	5013866057816	01/01/1900	To Current	£85.90