

Pegler Valve

Lockshield radiator valve angle pattern for copper or iron

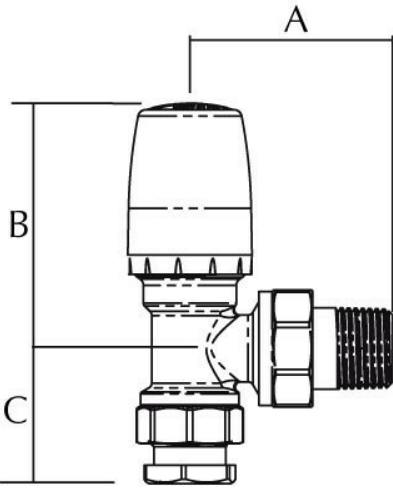
97 LS Angle pattern



General Information

Size	Pattern No.	Pack 1 Qty	Pack 2 Qty	Code	Barcode	Price (£) each ex VAT
15mm / 1/2" x 1/2"	97 LS	1	10	680002	5022050546692	£33.85
22mm / 3/4" x 3/4"	97 LS	1	5	680005	5022050546715	£44.30

97 LS Angle pattern



Dimensions

Code	Description	A	B	C
680002	1/2-15MM 97LS BELMONT ANGLE RAD VALVE	53	63	35
680005	3/4-22MM 97LS BELMONT ANGLE RAD VALVE	61	64	41

Pegler Yorkshire reserve the right to change specifications

Guarantee

Thermostatic and Manual Radiator Valves

Pegler Customcare 5 Year Guarantee - Terms & Conditions

Products are subject to a 5 year guarantee that is between Pegler and the final purchaser of the product.

The guarantee is subject to proof of purchase being supplied.

This guarantee does not affect any statutory rights the consumer may have in law.

The guarantee covers manufacturing or material defects and is not applicable where the product is fitted contrary to conditions of use in our literature.

The guarantee is subject to the following limitations:

1. The valves are designed for use only in an indirect open-vented or sealed water-filled central heating and/or indirect hot water system and for no other purpose.
2. They must be used within the pressure and temperature limits stated in the technical information table below.

Operating Conditions (Maximum)
 System Water Temperature (at 5bar) : 120 °C
 Operating pressure (at 65 oC) :10 bar

3. Under no circumstances must they be used to in systems containing liquids or solutions other than water. The only exception is the addition of a proprietary central heating corrosion inhibitor, cleaner or anti-freeze to the system water in accordance with the manufacturer's instructions.

4. Damage caused by abusive behaviour and accidental damage to the product are not covered by this guarantee

The extent of Pegler liability is limited to the cost of the replacement of the defective item and not to fitting or

consequential damages.

Care and Maintenance

Care

No regular aesthetic care is required for this product

Maintenance

No regular maintenance is required for this product.

For any further help please contact the Service Support Team on: 0800 1560050.

Regulations

Regulations

Terrier manual radiator valves are generally designed to BS2767-10.

For valves with compression connections, the connections are designed to BS EN1254-2; threaded connections comply with BS 21 or BS 2779.

They are designed for use only in an indirect open-vented or sealed water-filled central heating and/or indirect hot water system and for no other purpose.

They must be used within the pressure and temperature limits stated in the technical information table below.

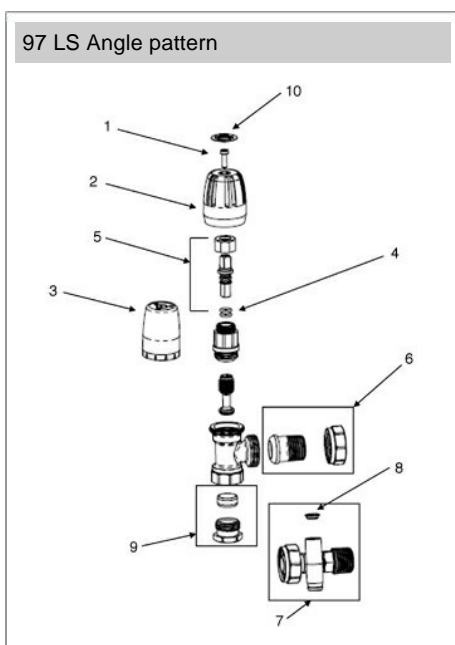
Operating Conditions	Maximum
System Water Temperature (at 5bar)	120°C
Operating pressure (at 65°C)	10 bar

Under no circumstances must they be used in systems containing liquids or solutions other than water. The only exception is the addition of a proprietary central heating corrosion inhibitor, cleaner or anti-freeze to the system water in accordance with the manufacturer's instructions.

Terrier heating controls are manufactured to a strict quality assurance system in accordance with ISO 9000: 2001

Materials

Component	Material
Body	Forged Brass
Head	Brass Bar
Spindle/Valve	Brass Bar
Glandnut/Gland	Brass Bar
Adapter	Forged Brass
Capnut	Forged Brass
Cone	Brass
Set_Screw	Brass
Lockshield	Polypropylene



Spare Key	Description	Code	Barcode	Date From	Date To	Price (£) ex VAT
1						
1	S4 BRASS SCREW	840110	5013866058899	01/01/1900	To Current	£1.31
1	S20 SCREW (B4)	854435	5013866082474	01/01/1900	08/03/2022	£0.00
1	S20 SCREW (B4)	854435	5013866082474	01/01/1900	08/03/2022	£0.00
1	S4 BRASS SCREW	840110	5013866058899	01/01/1900	To Current	£1.31
2						
2	WH9 WHEELHANDLE	843001	5013866034022	01/01/1900	To Current	£6.72
2	WH17 WHEELHANDLE (B4)	854436	5013866082481	01/01/1900	To Current	£6.17
2	WH17 WHEELHANDLE (B4)	854436	5013866082481	01/01/1900	To Current	£6.17
2	WH9 WHEELHANDLE	843001	5013866034022	01/01/1900	To Current	£6.72
3						
3	LS22 LOCKSHIELD	843002	5013866034039	01/01/1900	To Current	£6.72
3	LS34 LOCKSHIELD (B4)	854437	5013866082498	01/01/1900	To Current	£6.17
3	LS22 LOCKSHIELD	843002	5013866034039	01/01/1900	To Current	£6.72

Spare Key	Description	Code	Barcode	Date From	Date To	Price (£) ex VAT
3	LS34 LOCKSHIELD (B4)	854437	5013866082498	01/01/1900	To Current	£6.17
Spare Key	Description	Code	Barcode	Date From	Date To	Price (£) ex VAT
4						
4	OR3 O RING (RED) DISCONTINUED	840002	5013866033940	01/01/1900	08/03/2022	£0.00
4	OR34 O RING (B4)	854438	5013866082504	01/01/1900	To Current	£3.44
4	OR34 O RING (B4)	854438	5013866082504	01/01/1900	To Current	£3.44
4	OR3 O RING (RED) DISCONTINUED	840002	5013866033940	01/01/1900	08/03/2022	£0.00
Spare Key	Description	Code	Barcode	Date From	Date To	Price (£) ex VAT
5						
5	SOR4 SPINDLE & O RING SET - DISCONTINUED	840113	5013866058929	01/01/1900	20/02/2013	£0.00
5	SOR7 SPINDLE & O RING SET (B4)	854439	5013866082511	01/01/1900	To Current	£10.80
5	SOR7 SPINDLE & O RING SET (B4)	854439	5013866082511	01/01/1900	To Current	£10.80
5	SOR4 SPINDLE & O RING SET - DISCONTINUED	840113	5013866058929	01/01/1900	20/02/2013	£0.00
Spare Key	Description	Code	Barcode	Date From	Date To	Price (£) ex VAT
6						
6	TP15 BRASS TAIL PIPE (B4)	854459	5013866083983	01/01/1900	08/03/2022	£0.00
6	TP3 BRASS TAIL PIPE	843005	5013866059155	01/01/1900	To Current	£15.88
6	TP4 BRASS TAIL PIPE	843006	5013866059162	01/01/1900	08/03/2022	£0.00
6	TP16 BRASS TAIL PIPE (B4)	854461	5013866084003	01/01/1900	To Current	£20.51
Spare Key	Description	Code	Barcode	Date From	Date To	Price (£) ex VAT
7						
7	TP6 BRASS TAIL PIPE	840116	5013866058943	01/01/1900	08/03/2022	£0.00
7	TP7 BRASS TAIL PIPE	840117	5013866058950	01/01/1900	08/03/2022	£0.00
Spare Key	Description	Code	Barcode	Date From	Date To	Price (£) ex VAT
9						
9	NC7 NIPPLE & CONE (BRASS B4)	854460	5013866083990	01/01/1900	To Current	£4.10
9	NC1 NIPPLE & CONE (BRASS)	843011	5013866059216	01/01/1900	To Current	£4.31
9	NC2 NIPPLE & CONE (BRASS)	843012	5013866059223	01/01/1900	08/03/2022	£0.00
9	22MM BSC103 BELMONT SHORT CONE	843016	5013866059261	01/01/1900	To Current	£1.96
9	NC8 NIPPLE & CONE (BRASS B4)	854462	5013866084010	01/01/1900	08/03/2022	£0.00
Spare Key	Description	Code	Barcode	Date From	Date To	Price (£) ex VAT
10						
10	IN17 INDICE (BRAND PLATE B4)	854441	5013866082535	01/01/1900	08/03/2022	£0.00
10	IN17 INDICE (BRAND PLATE B4)	854441	5013866082535	01/01/1900	08/03/2022	£0.00