

# Pegler Terrier

Wheelhandle radiator valve straight pattern for copper or iron

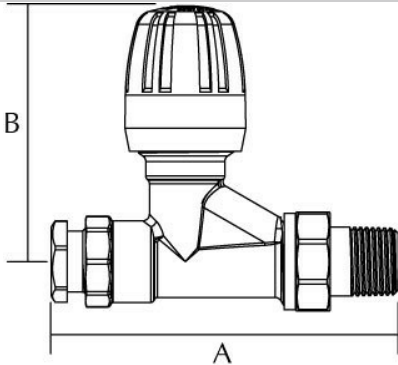
98 CPWH Straight pattern



## General Information

Size	Pattern No.	Pack 1 Qty	Pack 2 Qty	Code	Barcode	Price (£) each ex VAT
15mm / 1/2" x 1/2"	98 CPWH	1	10	<a href="#">681007</a>	5022050546814	£43.05
22mm / 3/4" x 3/4"	98 CPWH	1	5	<a href="#">681010</a>	5022050546838	£51.85

98 CPWH Straight pattern



## Dimensions

Code	Description	A	B
681007	1/2-15MM 98WH CP BELMONT STRT RAD VALVE	105	78
681010	3/4-22MM 98WH CP BELMONT STRT RAD VALVE	130	83

Pegler Yorkshire reserve the right to change specifications

## Guarantee

### Thermostatic and Manual Radiator Valves

#### Pegler Customcare 5 Year Guarantee - Terms & Conditions

Products are subject to a 5 year guarantee that is between Pegler and the final purchaser of the product.

The guarantee is subject to proof of purchase being supplied.

This guarantee does not affect any statutory rights the consumer may have in law.

The guarantee covers manufacturing or material defects and is not applicable where the product is fitted contrary to conditions of use in our literature.

The guarantee is subject to the following limitations:

1. The valves are designed for use only in an indirect open-vented or sealed water-filled central heating and/or indirect hot water system and for no other purpose.
2. They must be used within the pressure and temperature limits stated in the technical information table below.

Operating Conditions (Maximum)  
 System Water Temperature (at 5bar) : 120 °C  
 Operating pressure (at 65 oC) :10 bar

3. Under no circumstances must they be used to in systems containing liquids or solutions other than water. The only exception is the addition of a proprietary central heating corrosion inhibitor, cleaner or anti-freeze to the system water in accordance with the manufacturer's instructions.

4. Damage caused by abusive behaviour and accidental damage to the product are not covered by this guarantee

The extent of Pegler liability is limited to the cost of the replacement of the defective item and not to fitting or consequential damages.

## Pressure and Temperature

Description	Minimum Operating Pressure (bar)	Maximum Cold Working Pressure (bar)	Maximum Hot Working Pressure (bar)
98 CPWH Straight Pattern	No Minimum Operating Pressure	10.0 bar at temperatures up to 120oC	Not Suitable for Maximum Hot Working Pressure

### Care and Maintenance

#### Care

No regular aesthetic care is required for this product

#### Maintenance

No regular maintenance is required for this product.

For any further help please contact the Service Support Team on: 0800 1560050.

### Regulations

#### Regulations

Terrier manual radiator valves are generally designed to BS2767-10.

For valves with compression connections, the connections are designed to BS EN1254-2; threaded connections comply with BS 21 or BS 2779.

They are designed for use only in an indirect open-vented or sealed water-filled central heating and/or indirect hot water system and for no other purpose.

They must be used within the pressure and temperature limits stated in the technical information table below.

Operating Conditions	Maximum
System Water Temperature (at 5bar)	120°C
Operating pressure (at 65°C)	10 bar

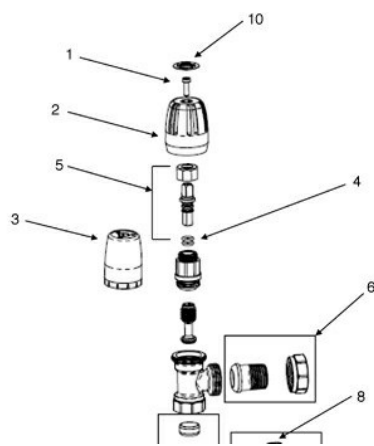
Under no circumstances must they be used in systems containing liquids or solutions other than water. The only exception is the addition of a proprietary central heating corrosion inhibitor, cleaner or anti-freeze to the system water in accordance with the manufacturer's instructions.

Terrier heating controls are manufactured to a strict quality assurance system in accordance with ISO 9000: 2001

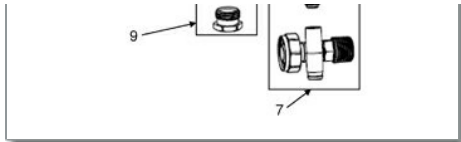
### Materials

Component	Material
Body	Forged Brass Chrome Plated
Head	Brass Bar
Spindle/Valve	Brass Bar
Glandnut/Gland	Brass Bar
Adapter	Forged Brass Chrome Plated
Capnut	Forged Brass Chrome Plated
Cone	Brass
Set Screw	Brass
Wheelhead	Polypropylene

98 CPWH Straight pattern



Spare Key	Description	Code	Barcode	Date From	Date To	Price (£) ex VAT
1						
1	S20 SCREW (B4)	854435	5013866082474	01/01/2008	08/03/2022	£0.00
1	S4CP CHROME SCREW	840109	5013866058882	01/04/1994	31/12/2007	£1.52
1	S4CP CHROME SCREW	840109	5013866058882	01/04/1994	31/12/2007	£1.52
1	S20 SCREW (B4)	854435	5013866082474	01/01/2008	08/03/2022	£0.00
1	S4 BRASS SCREW	840110	5013866058899	01/01/1900	To Current	£1.31
1	S4CP CHROME SCREW	840109	5013866058882	01/01/1900	To Current	£1.52
2						
2	WH17 WHEELHANDLE (B4)	854436	5013866082481	01/01/2008	To Current	£6.17
2	WH9 WHEELHANDLE	843001	5013866034022	01/04/1994	31/12/2007	£6.72



Spare Key	Description	Code	Barcode	Date From	Date To	Price (£) ex VAT
2	WH17 WHEELHANDLE (B4)	854436	5013866082481	01/01/2008	To Current	£6.17
2	WH9 WHEELHANDLE	843001	5013866034022	01/04/1994	31/12/2007	£6.72
2	WH10 WHEELHANDLE	843003	5013866059131	01/01/1900	04/10/2022	£6.72
2	WH10 WHEELHANDLE	843003	5013866059131	01/01/1900	04/10/2022	£6.72

Spare Key	Description	Code	Barcode	Date From	Date To	Price (£) ex VAT
<b>3</b>						
3	LS34 LOCKSHIELD (B4)	854437	5013866082498	01/01/2008	To Current	£6.17
3	LS22 LOCKSHIELD	843002	5013866034039	01/04/1994	31/12/2007	£6.72
3	LS34 LOCKSHIELD (B4)	854437	5013866082498	01/01/2008	To Current	£6.17
3	LS22 LOCKSHIELD	843002	5013866034039	01/04/1994	31/12/2007	£6.72
3	LS23 LOCKSHIELD	843004	5013866059148	01/01/1900	10/08/2012	£0.00
3	LS23 LOCKSHIELD	843004	5013866059148	01/01/1900	10/08/2012	£0.00

Spare Key	Description	Code	Barcode	Date From	Date To	Price (£) ex VAT
<b>4</b>						
4	OR34 O RING (B4)	854438	5013866082504	01/01/2008	To Current	£3.44
4	OR3 O RING (RED) DISCONTINUED	840002	5013866033940	01/04/1994	08/03/2022	£0.00
4	OR34 O RING (B4)	854438	5013866082504	01/01/2008	To Current	£3.44
4	OR3 O RING (RED) DISCONTINUED	840002	5013866033940	01/04/1994	08/03/2022	£0.00
4	OR3 O RING (RED) DISCONTINUED	840002	5013866033940	01/01/1900	08/03/2022	£0.00
4	OR3 O RING (RED) DISCONTINUED	840002	5013866033940	01/01/1900	08/03/2022	£0.00

Spare Key	Description	Code	Barcode	Date From	Date To	Price (£) ex VAT
<b>5</b>						
5	SOR7 SPINDLE & O RING SET (B4)	854439	5013866082511	01/01/2008	To Current	£10.80
5	SOR4 SPINDLE & O RING SET - DISCONTINUED	840113	5013866058929	01/04/1994	20/02/2013	£0.00
5	SOR4 SPINDLE & O RING SET - DISCONTINUED	840113	5013866058929	01/04/1994	20/02/2013	£0.00
5	SOR7 SPINDLE & O RING SET (B4)	854439	5013866082511	01/01/2008	To Current	£10.80
5	SOR5 SPINDLE & O RING SET - DISCONTINUED	840114	5013866058936	01/01/1900	To Current	£0.00
5	SOR5 SPINDLE & O RING SET - DISCONTINUED	840114	5013866058936	01/01/1900	To Current	£0.00

Spare Key	Description	Code	Barcode	Date From	Date To	Price (£) ex VAT
<b>6</b>						
6	TP12CP 1/2 CHROME TAIL PIPE (B4)	854430	5013866082429	01/01/2008	To Current	£17.34
6	TP3CP CHROME TAIL PIPE DISCONTINUED	843008	5013866059186	01/04/1994	08/03/2022	£0.00
6	TP4CP CHROME TAIL PIPE	843009	5013866059193	01/04/1994	08/03/2022	£0.00
6	TP13CP 3/4 CHROME TAIL PIPE (B4)	854431	5013866082436	01/01/2008	08/03/2022	£0.00
6	TP5 BRASS TAIL PIPE	843007	5013866059179	01/01/1900	08/03/2022	£0.00
6	TP5CP CHROME TAIL PIPE	843010	5013866059209	01/01/1900	08/03/2022	£0.00

Spare Key	Description	Code	Barcode	Date From	Date To	Price (£) ex VAT
<b>7</b>						
7	TP14 DO TAIL PIPE (B4)	854440	5013866082528	01/01/1900	08/03/2022	£0.00
7	TP7CP CHROME TAIL PIPE	840119	5013866058967	01/01/1900	08/03/2022	£0.00

Spare Key	Description	Code	Barcode	Date From	Date To	Price (£) ex VAT
<b>9</b>						
9	NC1CP NIPPLE & CONE (CHROME)	843013	5013866059230	01/04/1994	31/12/2007	£5.60
9	NC5 1/2 NIPPLE & CONE (B4)	854432	5013866082443	01/01/2008	To Current	£5.11
9	22MM BSC103 BELMONT SHORT CONE	843016	5013866059261	01/04/1994	To Current	£1.96
9	NC6 3/4 NIPPLE & CONE (B4)	854433	5013866082450	01/01/1900	To Current	£5.11

Spare Key	Description	Code	Barcode	Date From	Date To	Price (£) ex VAT
9	NC2CP NIPPLE & CONE (CHROME)	843014	5013866059247	01/01/1900	08/03/2022	£0.00
Spare Key	Description	Code	Barcode	Date From	Date To	Price (£) ex VAT
<b>10</b>						
10	IN17 INDICE (BRAND PLATE B4)	854441	5013866082535	01/01/1900	08/03/2022	£0.00
10	IN17 INDICE (BRAND PLATE B4)	854441	5013866082535	01/01/2008	08/03/2022	£0.00

Pegler Yorkshire Group Ltd, St Catherine's Ave, Doncaster, S Yorkshire, DN4 8DF  
 Telephone: Phone +44 (0) 844 243 4400 Fax: +44 (0) 844 243 9870 Website: www.pegler-yorkshire.co.uk  
 Registered office : Pegler Yorkshire Group Ltd, St Catherine's Ave, Doncaster, S Yorkshire, DN4 8DF Company no : 00401507