

# Pegler Valve

## B4452 Angle vertical TRV

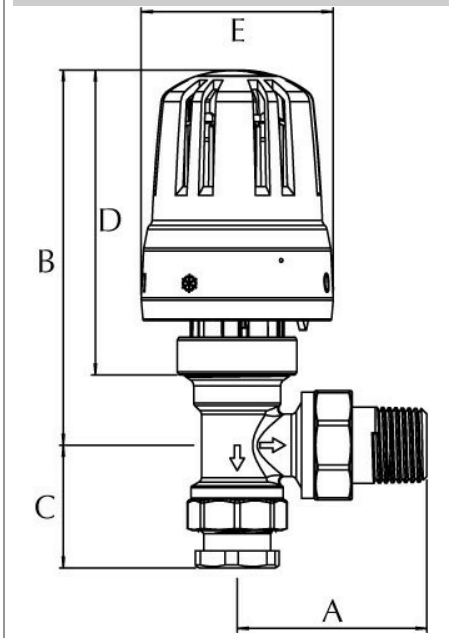
B4452 Angle vertical TRV



### General Information

Size	Pattern No.	Pack 1 Qty	Pack 2 Qty	Code	Barcode	Price (£) each ex VAT
15mm / 1/2" x 1/2"	B4452/4	1	10	686002	5022050547354	£56.69

B4452 Angle vertical TRV



### Dimensions

Code	Description	A	B	C	D	E
686002	1/2-15MMX1/2 B4452/4 HEAD VERTICAL CP 52	104	34	84	53	

Pegler Yorkshire reserve the right to change specifications

### Guarantee

#### Thermostatic and Manual Radiator Valves

#### Pegler Customcare 5 Year Guarantee - Terms & Conditions

Products are subject to a 5 year guarantee that is between Pegler and the final purchaser of the product.

The guarantee is subject to proof of purchase being supplied.

This guarantee does not affect any statutory rights the consumer may have in law.

The guarantee covers manufacturing or material defects and is not applicable where the product is fitted contrary to conditions of use in our literature.

The guarantee is subject to the following limitations:

1. The valves are designed for use only in an indirect open-vented or sealed water-filled central heating and/or indirect hot water system and for no other purpose.
2. They must be used within the pressure and temperature limits stated in the technical information table below.

Operating Conditions (Maximum)  
 System Water Temperature (at 5bar) : 120 °C  
 Operating pressure (at 65 oC) :10 bar

3. Under no circumstances must they be used to in systems containing liquids or solutions other than water. The only exception is the addition of a proprietary central heating corrosion inhibitor, cleaner or anti-freeze to

the system water in accordance with the manufacturer's instructions.

4. Damage caused by abusive behaviour and accidental damage to the product are not covered by this guarantee

The extent of Pegler liability is limited to the cost of the replacement of the defective item and not to fitting or consequential damages.

## Pressure and Temperature

Description	Minimum Operating Pressure (bar)	Maximum Cold Working Pressure (bar)	Maximum Hot Working Pressure (bar)
B4452 Angle Vertical TRV	No Minimum Operating Pressure	10.0 bar at temperatures up to 120oC	Not Suitable for Maximum Hot Working Pressure

## Care and Maintenance

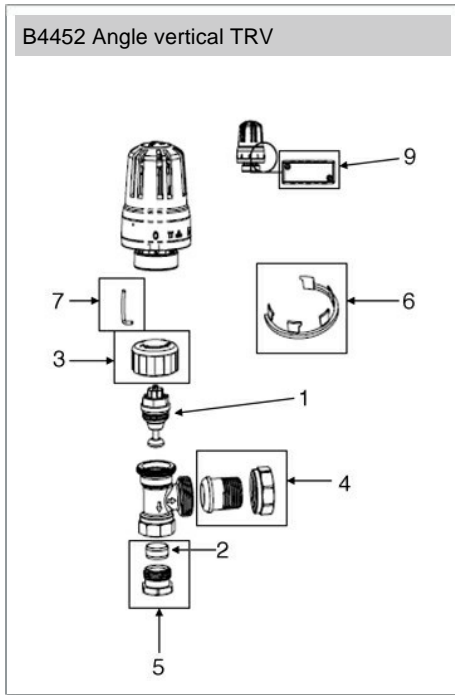
### Care

No regular aesthetic care is required for this product

### Maintenance

No regular maintenance is required for this product.

For any further help please contact the Service Support Team on: 0800 1560050.



Spare Key	Description	Code	Barcode	Date From	Date To	Price (£) ex VAT
<b>1</b>						
1	HK52 HEADWORK CARTRIDGE 1/2 (NICKEL-VB)	850729	5013866061950	01/05/1999	To Current	£33.92
1	HK55 HEADWORK CARTRIDGE 1/2 (VBG)	850732	5013866061967	01/05/1999	To Current	£33.92
1	HK50 HEADWORK CARTRIDGE 1/2 (CP-VB)	850727	5013866061943	01/05/1999	31/12/2007	£33.92
1	HK94 HEADWORK (B4)	854429	5013866082412	01/01/2008	To Current	£31.03
<b>2</b>						
2	15MM BSC103 BELMONT SHORT CONE	843017	5013866059278	01/05/1999	08/03/2022	£0.00
<b>3</b>						
3	DC7 DUST CAP	850734	5013866061974	01/05/1999	08/03/2022	£0.00
<b>4</b>						
4	TP3CP CHROME TAIL PIPE DISCONTINUED	843008	5013866059186	01/01/1900	08/03/2022	£0.00
4	TP12CP 1/2 CHROME TAIL PIPE (B4)	854430	5013866082429	01/01/2008	To Current	£17.34
<b>5</b>						
5	NC5 1/2 NIPPLE & CONE (B4)	854432	5013866082443	01/01/2008	To Current	£5.11
5	NC1CP NIPPLE & CONE (CHROME)	843013	5013866059230	01/05/1999	31/12/2007	£5.60
5	NC3NP NIPPLE & CONE (GUNMETAL/NICKEL)	843015	5013866059254	01/05/1999	08/03/2022	£0.00
<b>6</b>						
6	LD6 LOCKING DEVICE (B4)	854434	5013866082467	01/01/2008	To Current	£5.11
<b>7</b>						
7	LOCKING PINS B1701 - DISCONTINUED	686115	5013866050657	01/05/1999	31/12/2007	£0.00

Spare Key	Description	Code	Barcode	Date From	Date To	Price (£) ex VAT
7	Locking Limiting Pin - DISCONTINUED	686101	5013866034596	01/01/2008	10/04/2009	£1.91
Spare Key	Description	Code	Barcode	Date From	Date To	Price (£) ex VAT
9						
9	REMOTE SENSOR HOUSING	686117	5013866050671	01/01/2008	08/03/2022	£0.00

Pegler Yorkshire Group Ltd, St Catherine's Ave, Doncaster, S Yorkshire, DN4 8DF  
 Telephone: Phone +44 (0) 844 243 4400 Fax: +44 (0) 844 243 9870 Website: www.pegler-yorkshire.co.uk  
 Registered office : Pegler Yorkshire Group Ltd, St Catherine's Ave, Doncaster, S Yorkshire, DN4 8DF Company no : 00401507