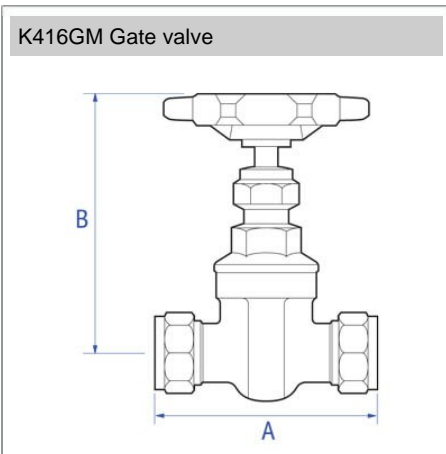


Pegler Valve

Gunmetal full bore gate valve. Compression ends to EN 1254/2, PN16



General Information

Size	Pattern No.	Pack 1 Qty	Pack 2 Qty	Code	Barcode	Price (£) each ex VAT	Discontinued	Date Discontinued
15mm	K416GM	5	0	55985	5022050559852	Disc(Stock available)	Discontinued	18/03/2021
22mm	K416GM	5	0	55986	5022050559869	Disc(Out of Stock)	Discontinued	18/03/2021
28mm	K416GM	2	0	55987	5022050559876	Disc(Stock available)	Discontinued	18/03/2021
35mm	K416GM	2	0	55988	5022050559883	Disc(Stock available)	Discontinued	18/03/2021
42mm	K416GM	2	0	55989	5022050559890	Disc(Stock available)	Discontinued	18/03/2021
54mm	K416GM	1	0	55990	5022050590824	Disc(Stock available)	Discontinued	18/03/2021

Dimensions

Code Description A B

Pegler Yorkshire reserve the right to change specifications

Flow Rate

Size Pattern No. Code Kv m3/h

Pegler Yorkshire reserve the right to change specifications

Guarantee

Pegler Kuterlite Guarantee - Terms and Conditions

Products are subject to a guarantee that is between Pegler and the final purchaser of the product. When correctly assembled with the stated tubes and pipe the length of guarantee is as follows:

Kuterlite fittings and valves installed with specified tubes and pipes with the exception of those listed below - 25 years.

Kuterlite Flexifit flexible connectors - 10 years

Kuterlite 600/900 fittings and valves installed with XPress Carbon Steel System tube in sizes up to 28mm - 10 years

Kuterlite 600/900 fittings and valves installed with other manufacturers carbon steel tube to DIN 2394/NEN 1982 in sizes up to 28mm - 5 years

The guarantee is subject to proof of purchase being supplied.

This guarantee does not affect any statutory rights the consumer may have in law.

The guarantee covers manufacturing or material defects when installed in accordance with our instructions

on specified tube materials and applications, and does not cover parts subject to normal wear and tear.

This product range has been designed for the use of homeowners, domestic and commercial applications and therefore the Guarantee is subject to the product being properly selected for their intended service conditions.

The guarantee is not applicable where the product is fitted contrary to the conditions in the fitting instructions.

This is reinforced where valves are covered by the European Pressure Equipment Directive (PED97/23/EC) where Installation, Operating and Maintenance Instructions are supplied with each product and/or carton.

Provided it is installed correctly and receives adequate preventative maintenance it should give years of trouble-free service.

Abusive behaviour and accidental damage to the product are not covered by this guarantee.

The extent of this liability is limited to the cost of the replacement of the defective item and not to installation or consequential damages.

Pressure and Temperature

Description	Minimum Operating Pressure (bar)	Maximum Cold Working Pressure (bar)	Maximum Hot Working Pressure (bar)
K416GM Gate valve	No Minimum Operating Pressure	16.0 bar at temperatures up to 30oC	5.0 bar at temperatures up to 120oC

Care and Maintenance

Care

No regular aesthetic care is required for this product

Maintenance

A regular maintenance program is the most efficient method of ensuring longer term operational efficiency of the selected valve. Such a program would need to include a risk assessment and a planned procedure of how the maintenance will be carried out. The possibility of operational limits being exceeded and the potential hazards ensuring must be considered as part of this assessment. This should be implemented to include visual checks on the valve's condition and any development of unforeseen conditions, which could lead to failure. The correct fitting tools and equipment should be used for valve maintenance work. Separate means of draining the pipe work must be provided when carrying out any maintenance to valves. Where there may be any system debris this could be collected and /or filtered by installation of the appropriate protective device.

For further help please contact your local engineer.

If your product is under warranty please contact the Service Support Team on: 0800 1560050

Materials

Component	Material
Body	Gunmetal
Bonnet	Gunmetal
Stem	Gunmetal
Gland nut	Brass
Gland	Brass
Handwheel	Aluminium
Nameplate	Aluminium
Handle screw	Steel
Compression nut	Brass
Compression cone	Brass
Packing flange and bolts	Gunmetal

Technical Suitability

Steam	Water	Oil	Air	Gas	Inert Gas	Combustible†	Gas Corrosive††	Gas Oxygen
no	yes	yes	no	no	no	no	no	no

Pegler Yorkshire reserve the right to change specifications

Gas application guide

Class 1. INERT Air, argon, carbon dioxide, helium, nitrogen

Class 2. COMBUSTIBLE Hydrogen, methane, natural gas, town gas
Class 3. CORROSIVE Chlorine, sulphur dioxide Class 4. OXYGEN
Class 1. INERT Air, argon, carbon dioxide, helium, nitrogen
† Valves are suitable for British Gas Applications Family Gases 1, 2 and 3.
†† Suitable in applications where moisture is completely absent.

Pegler Yorkshire Group Ltd, St Catherine's Ave, Doncaster, S Yorkshire, DN4 8DF
Telephone: Phone +44 (0) 844 243 4400 Fax: +44 (0) 844 243 9870 Website: www.pegler-yorkshire.co.uk
Registered office : Pegler Yorkshire Group Ltd, St Catherine's Ave, Doncaster, S Yorkshire, DN4 8DF Company no : 00401507