

# Endex

Straight female connector, copper x BSP parallel female thread

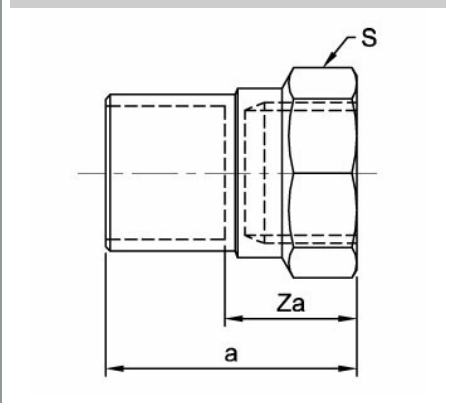
N2/4270G Connector



## General Information

Size	Pattern No.	Pack 1 Qty	Pack 2 Qty	Code	Barcode	Price (£) each ex VAT
15mm x 1/4"	N2/4270G	10	250	<a href="#">88128</a>	5022050881281	£3652.66 per 100
15mm x 3/8"	N2/4270G	10	250	<a href="#">88129</a>	5022050881298	£2979.87 per 100
15mm x 1/2"	N2/4270G	10	200	<a href="#">88130</a>	5022050881304	£1221.70 per 100
15mm x 3/4"	N2/4270G	10	170	<a href="#">84739D</a>	5022050284679	£3593.26 per 100
18mm x 1/2"	N2/4270G	10	300	<a href="#">84741D</a>	5022050284792	£1398.80 per 100
22mm x 1/2"	N2/4270G	10	100	<a href="#">84743D</a>	5022050284921	£5791.54 per 100
22mm x 3/4"	N2/4270G	10	100	<a href="#">88137</a>	5022050881373	£1832.96 per 100
22mm x 1"	N2/4270G	10	70	<a href="#">88138</a>	5022050881380	£5911.57 per 100
28mm x 1"	N2/4270G	10	60	<a href="#">88142</a>	5022050881427	£3850.97 per 100
28mm x 1.1/4"	N2/4270G	10	20	<a href="#">84749</a>	5022050847492	£4890.85 per 100
35mm x 1.1/4"	N2/4270G	1	10	<a href="#">88143</a>	5022050593054	£6908.46 per 100
42mm x 1 1/2"	N2/4270G	1	10	<a href="#">88144</a>	5022050593061	£10482.23 per 100
54mm x 2"	N2/4270G	1	15	<a href="#">88145</a>	5022050593078	£17436.17 per 100

N2/4270G Connector



## Dimensions

Code	Description	a	Za	s
88128	15mm x 1/4" N2/4270G	18	8	20
88129	15mm x 3/8" N2/4270G	23	12	20
88130	15mm x 1/2" N2/4270G	32	21	25
84739D	15mm x 3/4" N2/4270G	30	19	30
84741D	18mm x 1/2" N2/4270G	29	16	25
84743D	22mm x 1/2" N2/4270G	31	15	25
88137	22mm x 3/4" N2/4270G	34	18	30
88138	22mm x 1" N2/4270G	37	21	39
88142	28mm x 1" N2/4270G	39	22	37
84749	28mm x 1 1/4" N2/4270G	43	24	46
88143	35mm x 1 1/4" N2/4270G	48	24	46
88144	42mm x 1 1/2" N2/4270G	51	23	55
88145	54mm x 2" N2/4270G	60	28	67

Pegler Yorkshire reserve the right to change specifications

## Guarantee

Pegler 25 Year Guarantee - Terms and Conditions

Products are subject to a 25 year guarantee that is between Pegler and the final purchaser of the product.

The guarantee is subject to proof of purchase being supplied.

This guarantee does not affect any statutory rights the consumer may have in law.

The guarantee covers manufacturing or material defects when installed in accordance with our instructions on specified tube materials and applications, and does not cover parts subject to normal wear and tear.

This product range has been designed for the use of homeowners, domestic and commercial applications and therefore the Guarantee is subject to the product being properly selected for their intended service conditions.

The guarantee is not applicable where the product is fitted contrary to the conditions in the fitting instructions.

This is reinforced where valves are covered by the European Pressure Equipment Directive (PED97/23/EC) where Installation, Operating and Maintenance Instructions are supplied with each product and/or carton.

Provided it is installed correctly and receives adequate preventative maintenance it should give years of trouble-free service.

Abusive behaviour and accidental damage to the product are not covered by this guarantee.

The extent of this liability is limited to the cost of the replacement of the defective item and not to installation or consequential damages.

## Pressure and Temperature

Size	-40°C (Min)	30°C	65°C	110°C (Max)
6mm to 28mm	25bar	25bar	25bar	16bar
35mm to 54mm	25bar	25bar	16bar	10bar
67mm	16bar	16bar	16bar	10bar

Size	-15°C (Min)	30°C	65°C	110°C (Max)
6mm to 54mm	16bar	16bar	10bar	6bar
67mm	10bar	10bar	6bar	4bar



Pressure Loss Tables: Copper Water



Pressure Loss Tables: Copper Compressed Air



Pressure Loss Tables: Copper Gas

## Care and Maintenance

### **Care**

No regular aesthetic care is required for this product

### **Maintenance**

No regular maintenance is required for this product.

For any further help please contact the Service Support Team on: 0800 1560050.