

Endex

Stop end, for use with copper tube

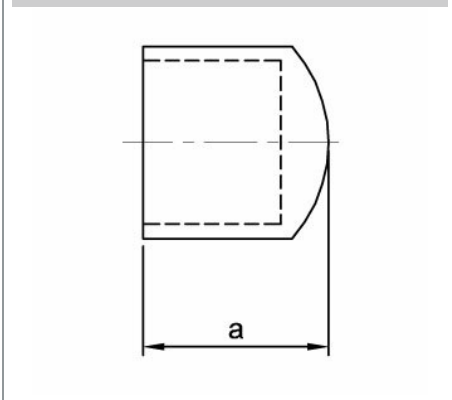
N61/5301 Stop End



General Information

Size	Pattern No.	Pack 1 Qty	Pack 2 Qty	Code	Barcode	Price (£) ex VAT
8mm	N61/5301	10	800	89076	5022050890764	£1072.77 per 100
10mm	N61/5301	10	800	89077	5022050890771	£1066.20 per 100
12mm	N61/5301	10	500	86045	5022050860743	£765.06 per 100
15mm	N61/5301	10	350	89080	5022050890801	£574.55 per 100
18mm	N61/5301	10	300	86049	5022050860712	£955.61 per 100
22mm	N61/5301	10	250	89084	5022050890849	£916.76 per 100
28mm	N61/5301	10	150	89085	5022050890856	£1645.22 per 100
35mm	N61/5301	10	70	89087	5022050890870	£4596.11 per 100
42mm	N61/5301	1	25	89088	5022050594433	£7102.30 per 100
54mm	N61/5301	1	20	89089	5022050594440	£9813.54 per 100

N61/5301 Stop End



Dimensions

Code	Description	a
89076	8mm N61/5301	14
89077	10mm N61/5301	11
86045	12mm N61/5301	12
89080	15mm N61/5301	14
86049		
89084	22mm N61/5301	18
89085	28mm N61/5301	21
89087	35mm N61/5301	27
89088	42mm N61/5301	31
89089	54mm N61/5301	36

Pegler Yorkshire reserve the right to change specifications

Guarantee

Pegler 25 Year Guarantee - Terms and Conditions

Products are subject to a 25 year guarantee that is between Pegler and the final purchaser of the product.

The guarantee is subject to proof of purchase being supplied.

This guarantee does not affect any statutory rights the consumer may have in law.

The guarantee covers manufacturing or material defects when installed in accordance with our instructions on specified tube materials and applications, and does not cover parts subject to normal wear and tear.

This product range has been designed for the use of homeowners, domestic and commercial applications and therefore the Guarantee is subject to the product being properly selected for their intended service conditions.

The guarantee is not applicable where the product is fitted contrary to the conditions in the fitting instructions.

This is reinforced where valves are covered by the European Pressure Equipment Directive (PED97/23/EC) where Installation, Operating and Maintenance Instructions are supplied with each product and/or carton.

Provided it is installed correctly and receives adequate preventative maintenance it should give years of trouble-free service.

Abusive behaviour and accidental damage to the product are not covered by this guarantee.

The extent of this liability is limited to the cost of the replacement of the defective item and not to installation or consequential damages.

Pressure and Temperature

Size	-40°C (Min)	30°C	65°C	110°C (Max)
6mm to 28mm	25bar	25bar	25bar	16bar
35mm to 54mm	25bar	25bar	16bar	10bar
67mm	16bar	16bar	16bar	10bar

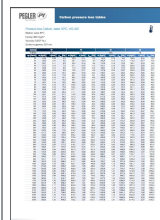
Size	-15°C (Min)	30°C	65°C	110°C (Max)
6mm to 54mm	16bar	16bar	10bar	6bar
67mm	10bar	10bar	6bar	4bar



Pressure Loss Tables: Copper Water



Pressure Loss Tables: Copper Compressed Air



Pressure Loss Tables: Copper Gas

Care and Maintenance

Care

No regular aesthetic care is required for this product

Maintenance

No regular maintenance is required for this product.

For any further help please contact the Service Support Team on: 0800 1560050.