

Endex

Bent union adaptor, copper x BSP union nut. Cone joint to BS 1010. The 15 and 22mm sizes are supplied with bent copper tails

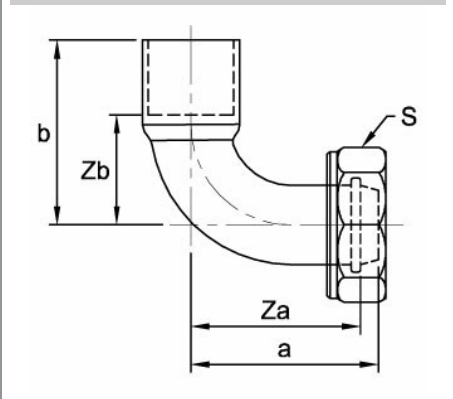
N64/4096C Adaptor



General Information

Size	Pattern No.	Pack 1 Qty	Pack 2 Qty	Code	Barcode	Price (£) ex VAT
15mm x 3/4"	N64/4096C	10	100	89120	5022050891204	£3678.39 per 100

N64/4096C Adaptor



Dimensions

Code	Description	a	b	Za	Zb	s
89120	15mm x 3/4" N64/4096C	47	40	40	29	31

Pegler Yorkshire reserve the right to change specifications

Guarantee

Pegler 25 Year Guarantee - Terms and Conditions

Products are subject to a 25 year guarantee that is between Pegler and the final purchaser of the product.

The guarantee is subject to proof of purchase being supplied.

This guarantee does not affect any statutory rights the consumer may have in law.

The guarantee covers manufacturing or material defects when installed in accordance with our instructions on specified tube materials and applications, and does not cover parts subject to normal wear and tear.

This product range has been designed for the use of homeowners, domestic and commercial applications and therefore the Guarantee is subject to the product being properly selected for their intended service conditions.

The guarantee is not applicable where the product is fitted contrary to the conditions in the fitting instructions.

This is reinforced where valves are covered by the European Pressure Equipment Directive (PED97/23/EC) where Installation, Operating and Maintenance Instructions are supplied with each product and/or carton.

Provided it is installed correctly and receives adequate preventative maintenance it should give years of trouble-free service.

Abusive behaviour and accidental damage to the product are not covered by this guarantee.

The extent of this liability is limited to the cost of the replacement of the defective item and not to installation or consequential damages.

Pressure and Temperature

Size	-40°C (Min) 30°C 65°C 110°C (Max)
------	-----------------------------------

Size	-40°C (Min)	30°C	65°C	110°C (Max)
6mm to 28mm	25bar	25bar	25bar	16bar
35mm to 54mm	25bar	25bar	16bar	10bar
67mm	16bar	16bar	16bar	10bar

Size	-15°C (Min)	30°C	65°C	110°C (Max)
6mm to 54mm	16bar	16bar	10bar	6bar
67mm	10bar	10bar	6bar	4bar

Pressure Loss Tables: Copper Water

Pressure Loss Tables: Copper Compressed Air

Pressure Loss Tables: Copper Gas

Care and Maintenance

Care

No regular aesthetic care is required for this product

Maintenance

No regular maintenance is required for this product.

For any further help please contact the Service Support Team on: 0800 1560050.