

Pegler Valve

DZR combi ball valve and strainer with tee handle. Threaded ends to BS EN 10226 (BS 21 taper), PN20

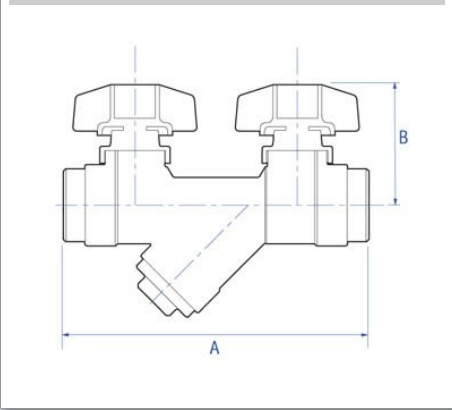
PB560 Blue ball valve



General Information

Size	Pattern No.	Pack 1 Qty	Pack 2 Qty	Code	Barcode	Price (£) each ex VAT
3/4"	PB560 Blue	1	18	245500	5022050561831	£78.60
3/4"	PB560 Red	1	18	245501	5022050561893	£78.60

PB560 Blue ball valve



Dimensions

Code	Description	A	B
245500	3/4" PB560 Blue	143	52.086
245501	3/4" PB560 Red	143	52.086

Pegler Yorkshire reserve the right to change specifications

Pressure and Temperature

Description	Minimum Operating Pressure (bar)	Maximum Cold Working Pressure (bar)	Maximum Hot Working Pressure (bar)
PB560 Blue Ball valve	No Minimum Operating Pressure	No Maximum Cold Working Pressure	No Maximum Hot Working Pressure

Materials

Component	Material
Body	DZR brass
Tee handle	Aluminium, painted
Strainer mesh	Stainless steel
Exterior sleeve	PA6.6 - 20% GF
Securing screws	Iron, chrome plated
Stem extension	CW614N
Ball	Brass, chrome plated
Stem	DZR brass
'O' ring	EPDM
Ball seat	PTFE (Teflon)

Technical Suitability

Steam	Water	Oil	Air	Gas	Inert Gas	Combustible†	Gas Corrosive††	Gas Oxygen
yes	yes	yes	yes	no	no		no	no

Pegler Yorkshire reserve the right to change specifications

Gas application guide

Class 1. INERT Air, argon, carbon dioxide, helium, nitrogen

Class 2. COMBUSTIBLE Hydrogen, methane, natural gas, town gas

Class 3. CORROSIVE Chlorine, sulphur dioxide Class 4. OXYGEN

Class 1. INERT Air, argon, carbon dioxide, helium, nitrogen

† Valves are suitable for British Gas Applications Family Gases 1, 2 and 3.

†† Suitable in applications where moisture is completely absent.