

Pegler Valve

DZR ball type drain valve. PN16, male x hose union, 10 bar 120°C

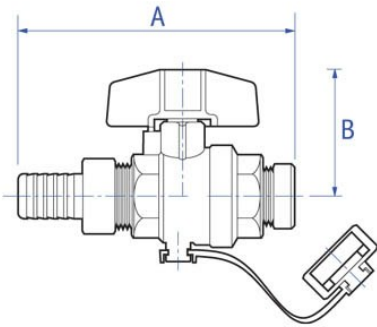
PB60 Drain ball valve



General Information

Size	Pattern No.	Pack 1 Qty	Pack 2 Qty	Code	Barcode	Price (£) each ex VAT
1/2"	PB60	10	0	254230	5022050215864	£33.25
3/4"	PB60	10	40	254231	5022050215970	£45.72
1"	PB60	5	0	254232	5022050216021	£60.29

PB60 Drain ball valve



Dimensions

Code	Description	A	B
254230	1/2" PB60	95	45 0.25
254231	3/4" PB60	110	55 0.44
254232	1" PB60	130	59 0.63

Pegler Yorkshire reserve the right to change specifications

Flow Rate

Size	Pattern No.	Code	Kv m3/h
1/2"	PB60	254230	17.00
3/4"	PB60	254231	41.00
1"	PB60	254232	70.00

Pegler Yorkshire reserve the right to change specifications

Materials

Component	Material
Body	DZR brass
Cap	Brass bar
Hose union pipe	Brass
Strap	Nylon 6
Tee handle	Aluminium, painted
Locking screw	Brass
'O' ring	Viton
Stem	DZR brass
Ball	Brass

Technical Suitability