

PEX-600



FxF lever arm ball valve
with easy grip handle

maximum pressure conditions:
25 bar - temp up to 100°C
16.5 bar - temp up to 150°C

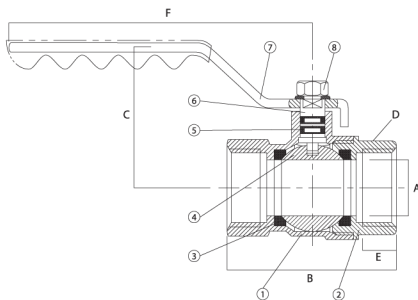
- PN 25 rating
- full bore
- quarter turn operation
- high quality PTFE seal
- nickel plated finish

suitable for steam, water, oil and air

available sizes as per the 'standard
packing details' table

standard packing details

size	1/2"	3/4"	1"	1.1/4"	1.1/2"	2"	2.1/2"	3"	4"
item weight (kg)	0.17	0.261	0.45	0.558	0.878	1.45	2.71	3.46	5.76
inner box contains box weight (kg)	20 3.53	15 4.06	10 4.64	6 3.64	4 3.68	2 3.11	1 22	1 21.5	1 24
outer carton contains carton weight (kg)	120 21.5	90 25.0	60 28.0	36 22.0	24 23.0	16 25.0	8 22.0	6 21.5	4 24
full pallet contains pallet weight (kg)	3600 660.0	2700 765.0	1350 695.0	810 540.0	552 544.0	384 615.0	256 719.0	216 789.0	112 687.0
dimension A mm	14.5	19	24	30	38	48	62	72	90
dimension B mm	52	58	70.5	80.5	90.5	109	129	144.5	171
dimension C mm	44	48	58	80.5	90.5	83	115	123	136
dimension D	1/2"	3/4"	1"	1.1/4"	1.1/2"	2"	2.1/2"	3"	4"
dimension E mm	10	11	15	16	17	18	21	21.5	23.5
dimension E mm	87	102	113	132	152	152	224	224	255



material specification

key	component	material
1	body	brass
2	end piece	brass
3	seal	PTFE
4	ball	chrome plated brass
5	o-ring	NBR
6	stem	brass
7	handle	steel
8	nut	steel