

VSH XPress

Commissioning valve (FODRV). DZR brass body with test points, XPress ends for copper/carbon steel/stainless steel tube

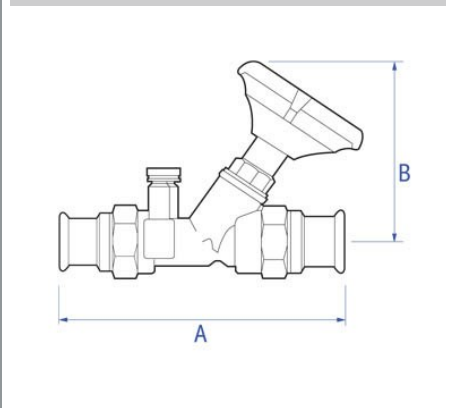
1260 Fixed commissioning valve



General Information

Size	Pattern No.	Pack 1 Qty	Pack 2 Qty	Code	Barcode	Price (£) each ex VAT
DN15 / 15mm (LF)	PS1260LF	1	5	126029	5022050563354	£133.57
DN15 / 15mm (ULF)	PS1260ULF	1	5	126087	5022050578419	£133.57
DN15 / 15mm (MF)	PS1260MF	1	5	126088	5022050578426	£133.57
DN15 / 15mm (SF)	PS1260SF	1	8	126030	5022050563552	£133.57
DN15 / 18mm (LF)	PS1260LF	1	0	126134	5022050563927	£134.90
DN15 / 18mm (SF)	PS1260SF	1	0	126135	5022050563934	£134.90
DN20 / 22mm (SF)	PS1260SF	1	5	126031	5022050563569	£185.40
DN25 / 28mm (SF)	PS1260SF	1	4	126032	5022050563576	£254.08
DN32 / 35mm (SF)	PS1260SF	1	3	126033	5022050563583	£267.03
DN40 / 42mm (SF)	PS1260SF	1	4	126034	5022050563590	£343.89
DN50 / 54mm (SF)	PS1260SF	1	2	126035	5022050563613	£444.93

1260 Fixed commissioning valve



Dimensions

Code	Description	A	B
126029	DN15/15mm PS1260LF	125	106 0.61
126087	DN15 / 15mm PS1260ULF		
126088			
126030	DN15/15mm PS1260SF	125	106 0.60
126134	DN15/18mm PS1260LF	125	106 0.61
126135	DN15/18mm PS1260SF	125	106 0.60
126031	DN20/22mm PS1260SF	134	106 0.68
126032	DN25/28mm PS1260SF	155	113 1.04
126033	DN32/35mm PS1260SF	178	120 1.50
126034	DN40/42mm PS1260SF	192	123 1.96
126035	DN50/54mm PS1260SF	232	138 3.36

Pegler Yorkshire reserve the right to change specifications

Flow Rate

Size	Pattern No.	Code	Kv m3/h	Kvs m3/h
DN15 / 15mm (LF)	PS1260LF	126029	0.55	0.49
DN15 / 15mm (ULF)	PS1260ULF	126087	0.27	0.25
DN15 / 15mm (MF)	PS1260MF	126088	1.08	0.98
DN15 / 15mm (SF)	PS1260SF	126030	2.09	2.02
DN15 / 18mm (LF)	PS1260LF	126134	0.55	0.49

Size	Pattern No.	Code	Kv m3/h	Kvs m3/h
DN15 / 18mm (SF)	PS1260SF	126135	2.09	2.02
DN20 / 22mm (SF)	PS1260SF	126031	3.07	4.43
DN25 / 28mm (SF)	PS1260SF	126032	6.19	6.07
DN32 / 35mm (SF)	PS1260SF	126033	13.13	11.1
DN40 / 42mm (SF)	PS1260SF	126034	22.49	22.26
DN50 / 54mm (SF)	PS1260SF	126035	28.19	42.46

Pegler Yorkshire reserve the right to change specifications

Materials

Component	Material
Body	GDCBr, BSEN 1982, CC 752S
Bonnet	EBB, BSEN 12164, CW 617N
Spindle	EBB, BSEN 12164, CW 617N
Disc	EBB
Gland	Packing Piece EBB, BSEN 12164, CW 617N
'O' rings	EPTO
Orifice plate	EBB, BSEN 12164, CW 617N
Circlip	Carbon spring steel
Adjustment screw	EBB, BSEN 12164, CW 617N
Test points	DZR Brass
Seals	EPTO
Handle	30% Glass filled nylon 66
Set screw	Brass
End connection	Gunmetal body
End connection 'O' ring	EPDM

Technical Suitability

Steam	Water	Oil	Air	Gas	Inert Gas	Combustible†	Gas Corrosive††	Gas Oxygen
no	yes	no	no	no	no	no	no	no

Pegler Yorkshire reserve the right to change specifications

Gas application guide

Class 1. INERT Air, argon, carbon dioxide, helium, nitrogen

Class 2. COMBUSTIBLE Hydrogen, methane, natural gas, town gas

Class 3. CORROSIVE Chlorine, sulphur dioxide Class 4. OXYGEN

Class 1. INERT Air, argon, carbon dioxide, helium, nitrogen

† Valves are suitable for British Gas Applications Family Gases 1, 2 and 3.

†† Suitable in applications where moisture is completely absent.