

Pegler Proflow

Venturi DZR double regulating valve (DRV). XPress ends for copper/carbon steel/stainless steel tube

PS901S Venturi double regulating valve

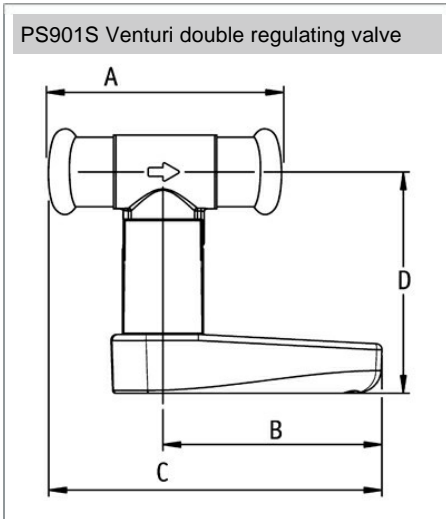


General Information

Size	Pattern No.	Pack 1 Qty	Pack 2 Qty	Code	Barcode	Price (£) each ex VAT	Disc(Stock available)	Discontinued	Date Discontinued
DN15 / 15mm (SL)	PS901SL	1	5	15570	5022050564122	Disc(Stock available)	Disc(Stock available)	Discontinued	17/09/2021
DN15 / 15mm (SS)	PS901SS	1	5	15571	5022050564139	Disc(Out of Stock)	Disc(Out of Stock)	Discontinued	17/09/2021
DN15 / 18mm (SL)	PS901SL	1	5	15572	5022050564146	Disc(Stock available)	Disc(Stock available)	Discontinued	17/09/2021
DN15 / 18mm (SS)	PS901SS	1	5	15573	5022050564153	Disc(Stock available)	Disc(Stock available)	Discontinued	17/09/2021
DN20 / 15mm (SL)	PS901SL	1	5	15574	5022050564160	Disc(Stock available)	Disc(Stock available)	Discontinued	17/09/2021
DN20 / 15mm (SS)	PS901SS	1	5	15575	5022050564177	Disc(Stock available)	Disc(Stock available)	Discontinued	17/09/2021
DN20 / 18mm (SL)	PS901SL	1	5	15576	5022050564184	Disc(Stock available)	Disc(Stock available)	Discontinued	17/09/2021
DN20 / 18mm (SS)	PS901SS	1	5	15577	5022050564207	Disc(Stock available)	Disc(Stock available)	Discontinued	17/09/2021
DN20 / 22mm (SL)	PS901SL	1	5	15578	5022050564214	Disc(Stock available)	Disc(Stock available)	Discontinued	17/09/2021
DN20 / 22mm (SS)	PS901SS	1	5	15579	5022050564221	Disc(Stock available)	Disc(Stock available)	Discontinued	17/09/2021
DN25 / 28mm (SS)	PS901SS	1	5	15580	5022050564238	Disc(Out of Stock)	Disc(Out of Stock)	Discontinued	17/09/2021
DN32 / 35mm (SS)	PS901SS	1	2	15581	5022050564245	Disc(Out of Stock)	Disc(Out of Stock)	Discontinued	17/09/2021
DN40 / 42mm (SS)	PS901SS	1	2	15582	5022050564252	Disc(Stock available)	Disc(Stock available)	Discontinued	17/09/2021
DN50 / 54mm	PS901SS	1	0	15583	5022050564269	£552.14			

Size	Pattern No.	Pack 1 Qty	Pack 2 Qty	Code	Barcode	Price (£) each ex VAT	Discontinued	Date Discontinued
------	-------------	------------	------------	------	---------	-----------------------	--------------	-------------------

(SS)



Dimensions

Code	Description	A	B	C	D
15583	DN50/54mm PS901SS 202	122	198	113	2.81

Pegler Yorkshire reserve the right to change specifications

Flow Rate

Size	Pattern No.	Code	Kvs m3/h	Kv m3/h	Loss Factor
DN50 / 54mm (SS)	PS901SS	15583	-	35.30	-

Pegler Yorkshire reserve the right to change specifications

Materials

Component	Material
Body	DZR brass
Spindle	DZR brass
Ball adjusting screw	DZR brass, chrome plated
Gaskets	PTFE
'O' rings	EPDM
Handle	Polyamide
End connection	Gunmetal body
End connection 'O' ring	EPDM

Technical Suitability

Steam	Water	Oil	Air	Gas	Inert Gas	Combustible† Gas	Corrosive†† Gas	Oxygen
no	yes	no	no	no	no	no	no	no

Pegler Yorkshire reserve the right to change specifications

Gas application guide

Class 1. INERT Air, argon, carbon dioxide, helium, nitrogen
 Class 2. COMBUSTIBLE Hydrogen, methane, natural gas, town gas
 Class 3. CORROSIVE Chlorine, sulphur dioxide Class 4. OXYGEN
 Class 1. INERT Air, argon, carbon dioxide, helium, nitrogen
 † Valves are suitable for British Gas Applications Family Gases 1, 2 and 3.
 †† Suitable in applications where moisture is completely absent.