

Pegler Valve

Bronze Y pattern strainer. XPress ends for copper/carbon steel/stainless steel tube

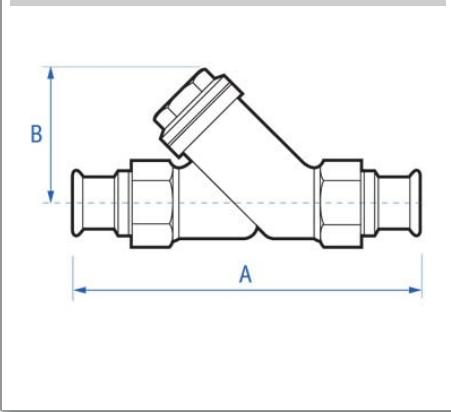
PS913 Strainer



General Information

Size	Pattern No.	Pack 1 Qty	Pack 2 Qty	Code	Barcode	Price (£) each ex VAT
15mm PS913		1	10	<u>15472</u>	5022050560636	£60.00
18mm PS913		1	10	<u>15473</u>	5022050560643	£61.31
22mm PS913		1	10	<u>15474</u>	5022050560650	£76.82
28mm PS913		1	5	<u>15475</u>	5022050560674	£97.55
35mm PS913		1	5	<u>15476</u>	5022050560681	£150.74
42mm PS913		1	2	<u>15477</u>	5022050560698	£200.11
54mm PS913		1	2	<u>15478</u>	5022050560704	£311.97

PS913 Strainer



Dimensions

Code	Description	A	B
15472	DN15/15mm PS913	109	40 0.30
15473	DN15/18mm PS913	109	40 0.30
15474	DN20/22mm PS913	115	48 0.41
15475	DN25/28mm PS913	132	60 0.59
15476	DN32/35mm PS913	171	70 0.96
15477	DN40/42mm PS913	185	82 1.19
15478	DN50/54mm PS913	212	73 2.00

Pegler Yorkshire reserve the right to change specifications

Materials

Component	Material
Cap	Gunmetal
Body	Gunmetal
Screen	Stainless steel
Gasket	Asbestos free (non stick)
End connection	Gunmetal body
Cap	Gunmetal
End connection 'O' ring	EPDM

Technical Suitability

Steam	Water	Oil	Air	Gas	Inert Gas	Combustible†	Gas Corrosive††	Gas Oxygen
no	yes	no	no	no	no	no	no	no

Pegler Yorkshire reserve the right to change specifications

Gas application guide

Class 1. INERT Air, argon, carbon dioxide, helium, nitrogen

Class 2. COMBUSTIBLE Hydrogen, methane, natural gas, town gas

Class 3. CORROSIVE Chlorine, sulphur dioxide Class 4. OXYGEN

Class 1. INERT Air, argon, carbon dioxide, helium, nitrogen

† Valves are suitable for British Gas Applications Family Gases 1, 2 and 3.

†† Suitable in applications where moisture is completely absent.