

Pegler Valve

Pressure reducing valve. XPress union outlet x XPress end for copper/carbon steel/stainless steel tube. Nickel plated

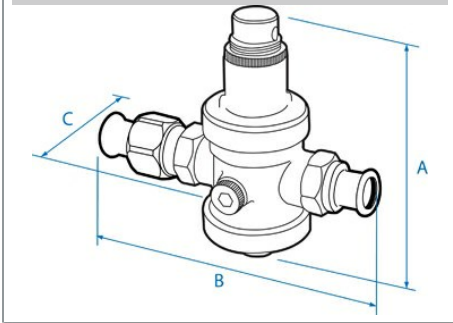
PSU4PRV Pressure reducing valve



General Information

Size	Pattern No.	Pack 1 Qty	Pack 2 Qty	Code	Barcode	Price (£) each ex VAT
15mm	PSU4PRV 1	1	0	5A2060	5022050559319	£127.37
22mm	PSU4PRV 1	1	0	5A2062	5022050559333	£191.05
28mm	PSU4PRV 1	1	0	5A2063	5022050189301	£213.26
35mm	PSU4PRV 1	1	0	5A2064	5022050189349	£375.74
42mm	PSU4PRV 1	1	0	5A2065	5022050559357	£473.73
54mm	PSU4PRV 1	1	0	5A2066	5022050189424	£766.80

PSU4PRV Pressure reducing valve



Dimensions

Code	Description	A	B	C
5A2060	15mm PSU4PRV	118	146	66
5A2062	22mm PSU4PRV	141	170	73
5A2063	28mm PSU4PRV	152	172	75
5A2064	35mm PSU4PRV	217	199	94
5A2065	42mm PSU4PRV	218	220	95
5A2066	54mm PSU4PRV	244	251	114

Pegler Yorkshire reserve the right to change specifications