

# VSH Tectite

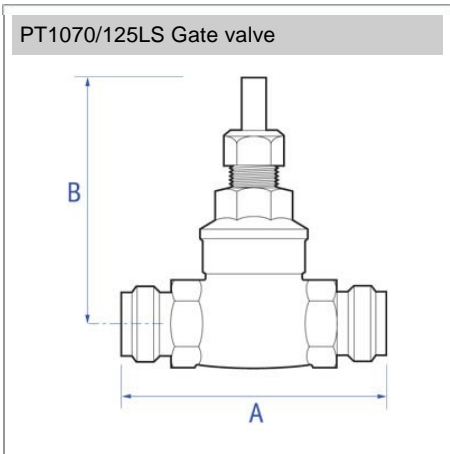
Bronze full way gate valve with lockshield. Tectite push-fit ends for copper, carbon and stainless steel tube



PT1070/125LS Gate valve

### General Information

Size	Pattern No.	Pack		Code	Barcode	Price (£) each ex VAT	Disc(Out Stock)
		1 Qty	2 Qty				
15mm	PT1070/125LS	1	10	103410	5022050560964		Discontinued 18/03/2021



PT1070/125LS Gate valve

### Dimensions

#### Code Description A B

Pegler Yorkshire reserve the right to change specifications

### Flow Rate

#### Size Pattern No. Code Kv m3/h

Pegler Yorkshire reserve the right to change specifications

### Pressure and Temperature

Description	Minimum Operating Pressure (bar)	Maximum Cold Working Pressure (bar)	Maximum Hot Working Pressure (bar)
PT1070/125LS Gate valve	No minimum operating pressure.	15-28mm 20 bar up to 30oC 35-54mm 16 bar up to 30oC	15-28mm 10 bar up to 114oC 35-54mm 6 bar up to 90oC

### Materials

Component	Material
Body	Gunmetal
Bonnet	Forged brass (1/4" to 3") Gravity die cast brass (4")
Stem	Brass bar
Wedge	Brass
Stem ring	Brass bar

Component	Material
Gland	Brass bar
Gland nut	Brass bar (1/4" to 1") Forged brass (1.1\4" to 4")
Handwheel	Aluminium
Handwheel nut	Brass bar
Gland packing	PTFE
Rating disc	Aluminium
Locksheild	Brass
End connection	DZR brass body (15 to 54)
End connection 'O' ring	EPDM brass body (15 to 54)
Grab ring	Stainless steel SS316 (15 to 54)

### Technical Suitability

Steam	Water	Oil	Air	Gas	Inert Gas	Combustible†	Gas Corrosive††	Gas Oxygen
no	yes	no	no	no	no	no	no	no

Pegler Yorkshire reserve the right to change specifications

### Gas application guide

Class 1. INERT Air, argon, carbon dioxide, helium, nitrogen

Class 2. COMBUSTIBLE Hydrogen, methane, natural gas, town gas

Class 3. CORROSIVE Chlorine, sulphur dioxide Class 4. OXYGEN

Class 1. INERT Air, argon, carbon dioxide, helium, nitrogen

† Valves are suitable for British Gas Applications Family Gases 1, 2 and 3.

†† Suitable in applications where moisture is completely absent.