

Pegler Valve

Ballofix isolating ball valve - straight pattern. Screwdriver slot

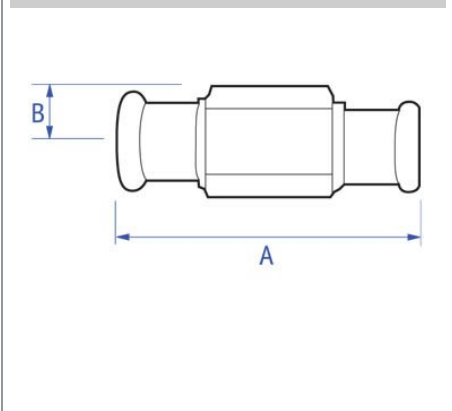
Screw driver slot press-fit ball valve



General Information

Size	Pattern No.	Pack 1 Qty	Pack 2 Qty	Code	Barcode	Price (£) each ex VAT	Discontinued	Date Discontinued
15mm	4381ZA	1	5	13060	5708537313673	£34.86		
22mm	4481ZA	5	50	13061	5708537313680	Disc(Stock available)	Discontinued	17/09/2021

Screw driver slot press-fit ball valve



Dimensions

Code Description A

13060 15mm 4381ZA 83 0.16

Pegler Yorkshire reserve the right to change specifications

Materials

Component	Material
Body	DZR brass, chrome plated
Ball	DZR brass, nickel plated
'O' rings	EPDM
Handle	Nylon PA6.6 (30% glass reinforced)
Compression nut	Forged brass, chrome plated
Compression cone	Brass

Technical Suitability

Steam	Water	Oil	Air	Gas	Inert Gas	Combustible† Gas	Corrosive†† Gas	Oxygen
no	yes	no	no	no	no	no	no	no

Pegler Yorkshire reserve the right to change specifications

Gas application guide

Class 1. INERT Air, argon, carbon dioxide, helium, nitrogen

Class 2. COMBUSTIBLE Hydrogen, methane, natural gas, town gas

Class 3. CORROSIVE Chlorine, sulphur dioxide Class 4. OXYGEN

Class 1. INERT Air, argon, carbon dioxide, helium, nitrogen

† Valves are suitable for British Gas Applications Family Gases 1, 2 and 3.

†† Suitable in applications where moisture is completely absent.