

Pegler Proflow

Pegler 710TP DZR red and blue self seal test points. Male taper connection

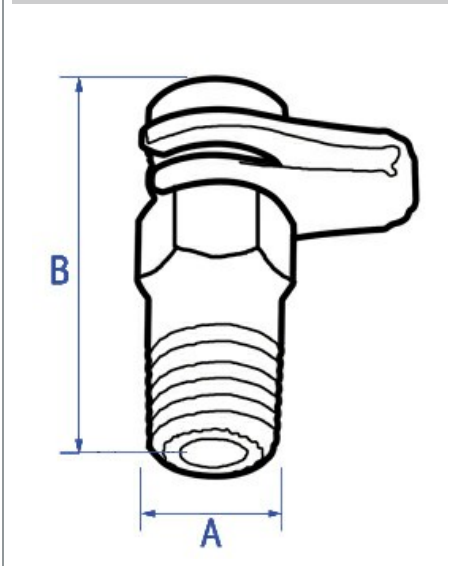
Pegler 710TP test point



General Information

Size	Pattern No.	Pack 1 Qty	Pack 2 Qty	Code	Barcode	Price (£) each ex VAT
1/4" x 36mm	710TP (5pr per pack)	1	6	126041	5022050563149	£86.37
1/4" x 75mm	710TP (5pr per pack)	1	5	126042	5022050563187	£190.14

Pegler 710TP test point



Dimensions

Code	Description	A	B
126041	1/4" x 36mm 710TP	14	36.003
126042	1/4" x 75mm 710TP	14	75.006

Pegler Yorkshire reserve the right to change specifications