

Pegler Valve

Cast iron butterfly valve geared

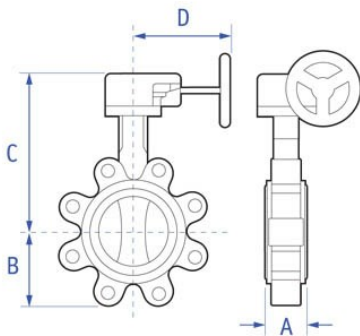
V907G Butterfly valve



General Information

Size	Pattern No.	Pack 1 Qty	Pack 2 Qty	Code	Barcode	Price (£) each ex VAT
200mm V907G		1	0	15449	5022050571564	£3415.19
250mm V907G		1	0	15338	5022050555502	£3297.99
300mm V907G		1	0	15339	5022050555519	£5120.49

V907G Butterfly valve



Dimensions

Code	Description	A	B	C	D
15449	200mm V907G	60	164	458	341
15338	250mm V907G	68	200	469	341
15339	300mm V907G	78	238	494	341

Pegler Yorkshire reserve the right to change specifications

Flow Rate

Size	Pattern No.	Code	Kv m3/h
200mm V907G		15449	3669.12
250mm V907G		15338	6247.80
300mm V907G		15339	9652.50

Pegler Yorkshire reserve the right to change specifications

Guarantee

Pegler 5 Year Guarantee - Terms and Conditions

Products are subject to a 5 year guarantee that is between Pegler and the final purchaser of the product.

The guarantee is subject to proof of purchase being supplied.

This guarantee does not affect any statutory rights the consumer may have in law.

The guarantee covers manufacturing or material defects when installed in accordance with our instructions on specified tube materials and applications, and does not cover parts subject to normal wear and tear.

This product range has been designed for the use of homeowners, domestic and commercial applications and therefore the Guarantee is subject to the product being properly selected for their intended service conditions.

The guarantee is not applicable where the product is fitted contrary to the conditions in the fitting instructions.

This is reinforced where valves are covered by the European Pressure Equipment Directive (PED97/23/EC) where Installation, Operating and Maintenance Instructions are supplied with each product and/or carton.

Provided it is installed correctly and receives adequate preventative maintenance it should give years of trouble-free service.

Abusive behaviour and accidental damage to the product are not covered by this guarantee.

The extent of this liability is limited to the cost of the replacement of the defective item and not to installation or consequential damages.

Materials

Component	Material
Body	Cast iron
Shaft	Stainless steel
Disc	Stainless steel
Bushes up to 100mm	PTFE
Bushes up to 125mm	Gunmetal
'O' ring	EPDM
Liner	Nitrile

Flange Data

Size Code	Flange Diameter (mm)	Pitch Circle Diameter (mm)	No of Bolts	Bolt Diameter (mm)	Hole Diameter (mm)	Raised Face Diameter (mm)	Raised Face Height (mm)	Thickness of Flange (mm)
-----------	----------------------	----------------------------	-------------	--------------------	--------------------	---------------------------	-------------------------	--------------------------

Pegler Yorkshire reserve the right to change specifications

Technical Suitability

Steam	Water	Oil	Air	Gas	Inert Gas	Combustible†	Gas Corrosive††	Gas Oxygen
no	yes	no	no	yes	yes	yes	no	

Pegler Yorkshire reserve the right to change specifications

Gas application guide

Class 1. INERT Air, argon, carbon dioxide, helium, nitrogen

Class 2. COMBUSTIBLE Hydrogen, methane, natural gas, town gas

Class 3. CORROSIVE Chlorine, sulphur dioxide Class 4. OXYGEN

Class 1. INERT Air, argon, carbon dioxide, helium, nitrogen

† Valves are suitable for British Gas Applications Family Gases 1, 2 and 3.

†† Suitable in applications where moisture is completely absent.