

# Pegler Valve

Bronze strainer, Y pattern. Female x female, BS 21 taper thread (EN 10226) PN16 Series B

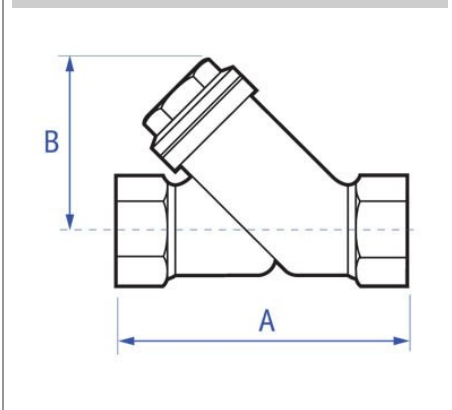
V913 Strainer



## General Information

Size	Pattern No.	Pack 1 Qty	Pack 2 Qty	Code	Barcode	Price (£) each ex VAT
1/2"	V913	1	10	<a href="#">15348</a>	5022050555526	£41.84
3/4"	V913	1	10	<a href="#">15349</a>	5022050555533	£56.32
1"	V913	1	5	<a href="#">15350</a>	5022050555540	£73.44
1.1/4"	V913	5	0	<a href="#">15351</a>	5022050076281	£117.25
1.1/2"	V913	2	0	<a href="#">15352</a>	5022050076441	£155.15
2"	V913	1	2	<a href="#">15353</a>	5022050555557	£239.80
1/2"	V913 PT	1	10	<a href="#">119061</a>	5022050576125	£41.84
3/4"	V913 PT	1	10	<a href="#">119062</a>	5022050576132	£56.32
1"	V913 PT	1	5	<a href="#">119063</a>	5022050576149	£73.44
1.1/4"	V913 PT	5	0	<a href="#">119064</a>	5022050397911	£117.25
1.1/2"	V913 PT	2	0	<a href="#">119065</a>	5022050397959	£155.15
2"	V913 PT	1	2	<a href="#">119066</a>	5022050576163	£239.80

V913 Strainer



## Dimensions

Code	Description	A	B
15348	1/2" V913	63	40 0.23
15349	3/4" V913	67	48 0.32
15350	1" V913	80	60 0.45
15351	1.1/4" V913	114	70 0.74
15352	1.1/2" V913	120	82 0.92
15353	2" V913	137	73 1.06
119061	1/2" V913 PT	63	40 0.23
119062	3/4" V913 PT	67	48 0.32
119063	1" V913 PT	80	60 0.45
119064	1.1/4" V913 PT	114	70 0.74
119065	1.1/2" V913 PT	120	82 0.92
119066	2" V913 PT	137	73 1.06

Pegler Yorkshire reserve the right to change specifications

## Guarantee

### Pegler 5 Year Guarantee - Terms and Conditions

Products are subject to a 5 year guarantee that is between Pegler and the final purchaser of the product.

The guarantee is subject to proof of purchase being supplied.

This guarantee does not affect any statutory rights the consumer may have in law.

The guarantee covers manufacturing or material defects when installed in accordance with our instructions on specified tube materials and applications, and does not cover parts subject to normal wear and tear.

This product range has been designed for the use of homeowners, domestic and commercial applications and therefore the Guarantee is subject to the product being properly selected for their intended service conditions.

The guarantee is not applicable where the product is fitted contrary to the conditions in the fitting instructions.

This is reinforced where valves are covered by the European Pressure Equipment Directive (PED97/23/EC) where Installation, Operating and Maintenance Instructions are supplied with each product and/or carton.

Provided it is installed correctly and receives adequate preventative maintenance it should give years of trouble-free service.

Abusive behaviour and accidental damage to the product are not covered by this guarantee.

The extent of this liability is limited to the cost of the replacement of the defective item and not to installation or consequential damages.

## **Materials**

<b>Component</b>	<b>Material</b>
Body	Gunmetal
Cap	Gunmetal
Screen	Stainless steel
Gasket	Asbestos free (non stick)

## **Additional Information**

<b>Size</b>	<b>Pattern No.</b>	<b>Code</b>	<b>Mesh Hole Diameter</b>
1/2"	V913	15348	0.35mm
3/4"	V913	15349	0.6mm
1"	V913	15350	0.6mm
1.1/4"	V913	15351	0.6mm
1.1/2"	V913	15352	0.6mm
2"	V913	15353	0.35mm
1/2"	V913 PT	119061	0.6mm
3/4"	V913 PT	119062	0.6mm
1"	V913 PT	119063	0.6mm
1.1/4"	V913 PT	119064	0.6mm
1.1/2"	V913 PT	119065	0.6mm
2"	V913 PT	119066	0.6mm

**Pegler Yorkshire reserve the right to change specifications**

## **Technical Suitability**

<b>Steam</b>	<b>Water</b>	<b>Oil</b>	<b>Air</b>	<b>Gas</b>	<b>Inert Gas</b>	<b>Combustible† Gas</b>	<b>Corrosive†† Gas</b>	<b>Oxygen</b>
no	yes	no	no	no	no	no	no	no

**Pegler Yorkshire reserve the right to change specifications**

### **Gas application guide**

Class 1. INERT Air, argon, carbon dioxide, helium, nitrogen

Class 2. COMBUSTIBLE Hydrogen, methane, natural gas, town gas

Class 3. CORROSIVE Chlorine, sulphur dioxide Class 4. OXYGEN

Class 1. INERT Air, argon, carbon dioxide, helium, nitrogen

† Valves are suitable for British Gas Applications Family Gases 1, 2 and 3.

†† Suitable in applications where moisture is completely absent.