

Pegler Valve

Bronze strainer. Female x female, BS21 taper thread (EN 10226) PN32

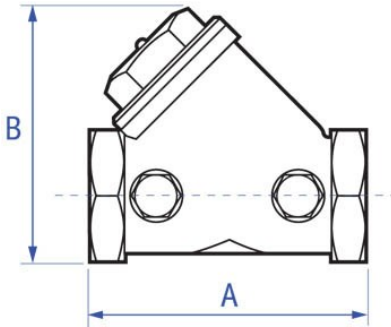
V954 Strainer



General Information

Size	Pattern No.	Pack 1 Qty	Pack 2 Qty	Code	Barcode	Price (£) each ex VAT
1/2"	V954	1	5	15490	5022050562869	£45.60
3/4"	V954	1	5	15491	5022050563057	£61.41
1"	V954	1	5	15492	5022050563064	£85.56
1.1/4"	V954	1	2	15493	5022050563088	£127.84
1.1/2"	V954	1	0	15494	5022050563101	£169.14
2"	V954	1	0	15495	5022050563125	£261.40

V954 Strainer



Dimensions

Code	Description	A	B
15490	1/2" V954	70	58 0.36
15491	3/4" V954	80	75 0.54
15492	1" V954	100	88 0.85
15493	1.1/4" V954	120	108 1.34
15494	1.1/2" V954	130	124 1.67
15495	2" V954	160	161 3.13

Pegler Yorkshire reserve the right to change specifications

Materials

Component	Material
Body	Gunmetal
Cap	Gunmetal
Screen	Stainless steel
Screw tapping caps	Brass
Plugs	DZR brass
Gasket	Asbestos free

Technical Suitability

Steam	Water	Oil	Air	Gas	Inert Gas	Combustible†	Gas Corrosive††	Gas Oxygen
no	yes	no	no	no	no	no	no	no

Pegler Yorkshire reserve the right to change specifications

Gas application guide

Class 1. INERT Air, argon, carbon dioxide, helium, nitrogen

Class 2. COMBUSTIBLE Hydrogen, methane, natural gas, town gas

Class 3. CORROSIVE Chlorine, sulphur dioxide Class 4. OXYGEN

Class 1. INERT Air, argon, carbon dioxide, helium, nitrogen

† Valves are suitable for British Gas Applications Family Gases 1, 2 and 3.

†† Suitable in applications where moisture is completely absent.

