

# Pegler Proflow

Ductile Iron double regulating valve with regulating and isolating functions (FODRV). PN16.

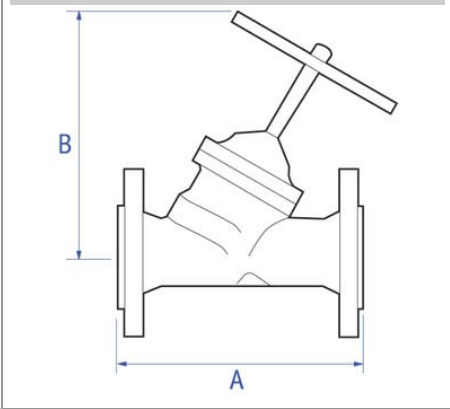
V955 Fixed Orifice double regulating valve



## General Information

Size	Pattern No.	Pack 1 Qty	Pack 2 Qty	Code	Barcode	Price (£) each ex VAT
DN65	V955	1	0	<a href="#">150013</a>	5022050585288	£596.91
DN80	V955	1	0	<a href="#">150014</a>	5022050585295	£736.30
DN100	V955	1	0	<a href="#">150010</a>	5022050585257	£1015.87
DN125	V955	1	0	<a href="#">150011</a>	5022050585264	£1448.76
DN150	V955	1	0	<a href="#">150012</a>	5022050585271	£1870.74
DN200	V955	1	0	<a href="#">150015</a>	5022050586254	£4777.55
DN250	V955	1	0	<a href="#">150016</a>	5022050586261	£7789.42
DN300	V955	1	0	<a href="#">150017</a>	5022050586278	£10801.31

V955 Fixed Orifice double regulating valve



## Dimensions

Code	Description	A	B
150013	DN65 V955	290	265 17.70
150014	DN80 V955	310	270 23.60
150010	DN100 V955	350	310 30.00
150011	DN125 V955	400	340 45.00
150012	DN150 V955	480	340 52.00
150015	DN200 V955	600	537 105.00
150016	DN250 V955	730	570 185.00
150017	DN300 V955	850	690 248.00

Pegler Yorkshire reserve the right to change specifications

## Flow Rate

Size	Pattern No.	Code	Kvs m3/h	Kv m3/h	Loss Factor (K)
DN65	V955	150013	104.0	104.0	5.32
DN80	V955	150014	116.0	112.0	6.48
DN100	V955	150010	213.0	162.0	13.15
DN125	V955	150011	333.0	254.0	8.32
DN150	V955	150012	476.0	335.0	7.33
DN200	V955	150015	768.0	535.0	8.26
DN250	V955	150016	1153.0	1099.0	7.27
DN300	V955	150017	1743.0	1588.0	8.36

Pegler Yorkshire reserve the right to change specifications

## Materials

Component	Material
Body	Ductile Iron
Bonnet	Ductile Iron
Disc	Ductile Iron, EPDM Coated
Disc Nail	Brass
'O' Ring	EPDM
Stem	Stainless Steel

Component	Material
Gasket	Graphite
Handwheel	Carbon Steel (50-100) Ductile Iron (125-300)

### Flange Data

Size	Code	Flange Diameter (mm)	Pitch Circle Diameter (mm)	No of Bolts	Bolt Diameter (mm)	Hole Diameter (mm)	Raised Face Diameter (mm)	Raised Face Height (mm)	Thickness of Flange (mm)
DN65	150013	185	145	4 (2)	M16	19	-	-	20
DN80	150014	200	160	8	M16	19	-	-	22
DN100	150010	220	180	8	M16	19	-	-	24
DN125	150011	250	210	8	M16	19	-	-	26
DN150	150012	285	240	8	M20	23	-	-	26
DN200	150015	340	295	12	M20	23	-	-	30
DN250	150016	405(2)	355	12	M24	28	-	-	32
DN300	150017	460 (2)	410	12	M24	28	-	-	32

Pegler Yorkshire reserve the right to change specifications

### Technical Suitability

Steam	Water	Oil	Air	Gas	Inert Gas	Combustible†	Gas Corrosive††	Gas Oxygen
no	yes	no	no	no	no	no	no	no

Pegler Yorkshire reserve the right to change specifications

### **Gas application guide**

Class 1. INERT Air, argon, carbon dioxide, helium, nitrogen

Class 2. COMBUSTIBLE Hydrogen, methane, natural gas, town gas

Class 3. CORROSIVE Chlorine, sulphur dioxide Class 4. OXYGEN

Class 1. INERT Air, argon, carbon dioxide, helium, nitrogen

† Valves are suitable for British Gas Applications Family Gases 1, 2 and 3.

†† Suitable in applications where moisture is completely absent.