

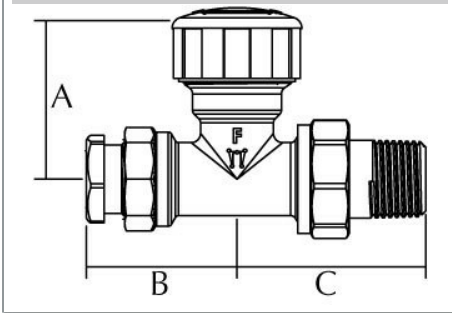
# Pegler Terrier

## VB1490 Straight

VB1490 Straight



VB1490 Straight



### General Information

Size	Pattern No.	Pack 1 Qty	Pack 2 Qty	Code	Barcode	Price (£) each ex VAT
15mm / 1/2"x1/2"	VB 1490/4	1	10	<a href="#">686034</a>	5022050547446	£30.06
22mm / 3/4"x3/4"	VB 1490/4	1	5	<a href="#">686035</a>	5022050547453	£41.54

### Dimensions

Code	Description	A	B	C
686034	1/2-15MMX1/2 VB 1490/4 STRAIGHT VLV BODY	43	41	51
686035	3/4-22MMX3/4 VB 1490/4 STRAIGHT VLV BODY	45	47	62

Pegler Yorkshire reserve the right to change specifications

### Guarantee

#### Thermostatic and Manual Radiator Valves

#### Pegler Customcare 5 Year Guarantee - Terms & Conditions

Products are subject to a 5 year guarantee that is between Pegler and the final purchaser of the product.

The guarantee is subject to proof of purchase being supplied.

This guarantee does not affect any statutory rights the consumer may have in law.

The guarantee covers manufacturing or material defects and is not applicable where the product is fitted contrary to conditions of use in our literature.

The guarantee is subject to the following limitations:

1. The valves are designed for use only in an indirect open-vented or sealed water-filled central heating and/or indirect hot water system and for no other purpose.
2. They must be used within the pressure and temperature limits stated in the technical information table below.

Operating Conditions (Maximum)  
 System Water Temperature (at 5bar) : 120 °C  
 Operating pressure (at 65 oC) :10 bar

3. Under no circumstances must they be used to in systems containing liquids or solutions other than water. The only exception is the addition of a proprietary central heating corrosion inhibitor, cleaner or anti-freeze to the system water in accordance with the manufacturer's instructions.

4. Damage caused by abusive behaviour and accidental damage to the product are not covered by this guarantee

The extent of Pegler liability is limited to the cost of the replacement of the defective item and not to fitting or consequential damages.

### Pressure and Temperature

Description	Minimum Operating Pressure (bar)	Maximum Cold Working Pressure (bar)	Maximum Hot Working Pressure (bar)
VB1490 Straight	No Minimum Operating Pressure	10.0 bar at temperatures up to 120oC	Not Suitable for Maximum Hot Working Pressure

### Care and Maintenance

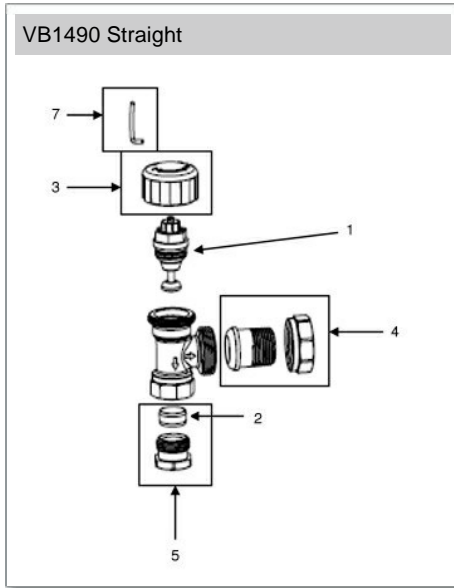
#### Care

No regular aesthetic care is required for this product

#### Maintenance

No regular maintenance is required for this product.

For any further help please contact the Service Support Team on: 0800 1560050.



Spare Key	Description	Code	Barcode	Date From	Date To	Price (£) ex VAT
<b>1</b>						
1	HK94 HEADWORK (B4)	854429	5013866082412	01/01/1900	To Current	£31.03
1	HK94 HEADWORK (B4)	854429	5013866082412	01/01/1900	To Current	£31.03
<b>2</b>						
2	15MM BSC103 BELMONT SHORT CONE	843017	5013866059278	01/01/1900	08/03/2022	£0.00
2	15MM BSC103 BELMONT SHORT CONE	843017	5013866059278	01/01/1900	08/03/2022	£0.00
<b>3</b>						
3	DC7 DUST CAP	850734	5013866061974	01/01/1900	08/03/2022	£0.00
3	DC7 DUST CAP	850734	5013866061974	01/01/1900	08/03/2022	£0.00
<b>4</b>						
4	TP12CP 1/2 CHROME TAIL PIPE (B4)	854430	5013866082429	01/01/1900	To Current	£17.34
4	TP13CP 3/4 CHROME TAIL PIPE (B4)	854431	5013866082436	01/01/1900	08/03/2022	£0.00
<b>5</b>						
5	NC5 1/2 NIPPLE & CONE (B4)	854432	5013866082443	01/01/1900	To Current	£5.11
5	NC6 3/4 NIPPLE & CONE (B4)	854433	5013866082450	01/01/1900	To Current	£5.11
<b>7</b>						
7	Locking Limiting Pin - DISCONTINUED	686101	5013866034596	01/01/1900	10/04/2009	£1.91
7	Locking Limiting Pin - DISCONTINUED	686101	5013866034596	01/01/1900	10/04/2009	£1.91