

KI

STAINLESS-STEEL CENTRIFUGAL PUMP





TECHNICAL DATA

Operating range: flow rate up to 11 m³/h, with head up to 40 meters
Pumped liquid: clean, free of solids and abrasives, non-viscous, non-aggressive, non-crystallised and chemically neutral, with properties similar to water.

Liquid temperature range: from -10°C to +90°C

Maximum ambient temperature: +40°C

Maximum operating pressure: 8 bar

Protection class: IP 55

Insulation class: F

Standard Voltage:

single-phase 220-230 V 50 Hz

three-phase 230 / 400 V 50Hz

Installation: horizontal or vertical position, provided that the motor is always above the pump.

Special executions on requests:

V version: Alox Ceramic/Carbon/FKM: for oily liquids (up to 110°C) and propylene glycol

VS version: SiC/SiC/FKM: for oily liquids (up to 110°C) and fluids with abrasive particles

E version: SiC/Carbon/EPDM: high temperature water up to 120 °C and ethylene glycol

APPLICATIONS

Single-impeller stainless steel end suction centrifugal pump, suitable for thermal waters, industrial washing, civil and industrial pressure boosting (cold, hot, refrigerated liquid).

CONSTRUCTION FEATURES OF THE PUMP

The Pump body and impeller in stainless steel AISI 304 make the pump more resistant to the corrosion, reliable and compact.

The support in aluminium and the mechanical seal in Carbon Ceramic and NBR complete the hydraulic part of the pump.

The pump is MEI comply.

CONSTRUCTION FEATURES OF THE MOTOR

Closed asynchronous type, external ventilation cooling.

Rotor running on ball bearings, oversized to ensure low noise and durability.

Standard built-in thermo-ampereometric protection. Capacitor permanently fitted on single phase versions.

For the protection of the three-phase motor, we recommend the use of remote overload cut-outs, in compliance with current local regulations.

Construction according to CEI 2-3.

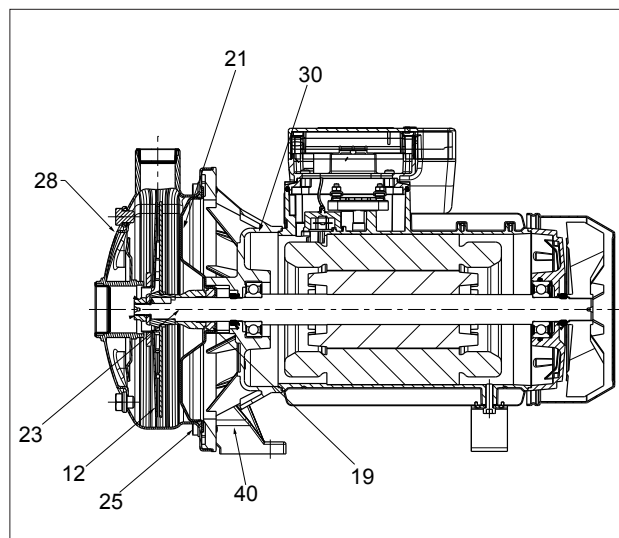
Three-phase IE2 motors as standard.

MATERIALS

N°	PART	MATERIALS
28	PUMP BODY	STAINLESS STEEL AISI 304
12	IMPELLER	STAINLESS STEEL AISI 304
19	MECHANICAL SEAL (*)	CARBON/CERAMIC/NBR/AISI316
21	MECHANICAL SEAL DISC	STAINLESS STEEL AISI 304
25	O-RING	NBR
23	PUMP SHAFT	STAINLESS STEEL AISI 303
30	MOTOR CASE	ALUMINIUM
40	MOTOR SUPPORT	ALUMINIUM

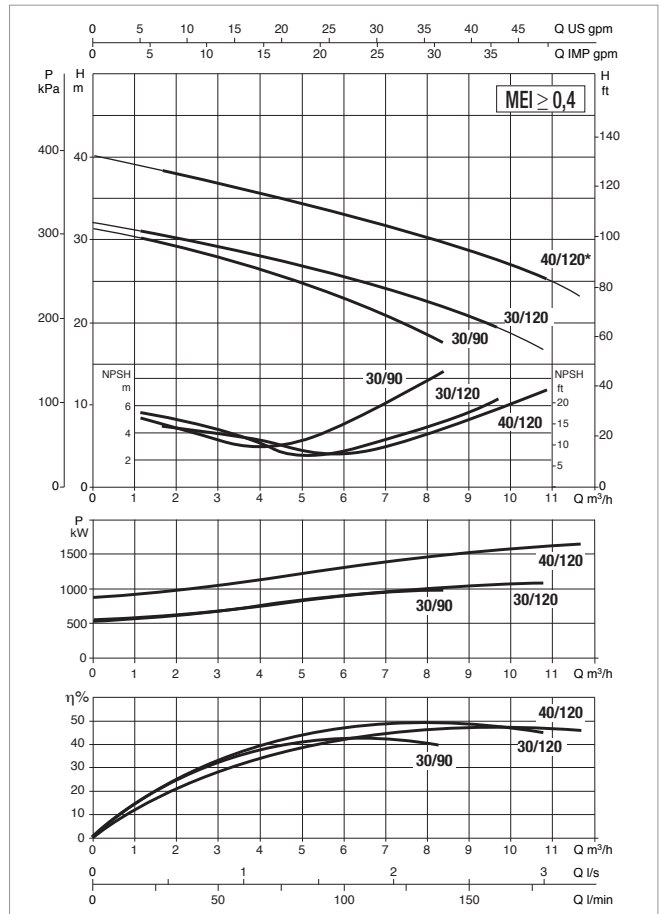
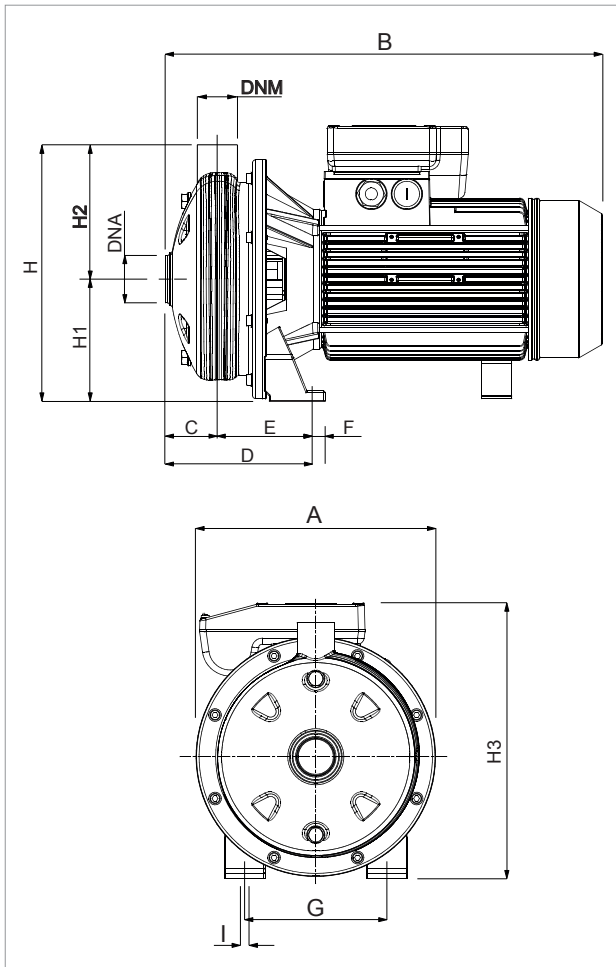
(*) Special mechanical seal:

Alox Ceramic/Carbon/FKM - SiC/SiC/FKM - SiC/Carbon/EPDM



KI - STAINLESS-STEEL CENTRIFUGAL PUMP

Liquid temperature range: from -10°C to +90°C - Maximum operating pressure: 8 bar



The performance curves are based on kinematic viscosity values = 1 mm²/s and density equal to 1000 kg/m³. Curve tolerance according to ISO 9906.

MODEL	l/min	0	20	50	80	90	110	130	140	160	180	195
	m³/h	0	1,2	3	4,8	5,4	6,6	7,8	8,4	9,6	10,8	11,7
KI 30/90 M	H (m)	31,4	30,1	27,8	25,1	24,0	21,7	19,0	17,5			
KI 30/120 M		32,0	30,7	28,9	27,0	26,3	24,8	22,8	21,6	19,2	16,5	
KI 30/120 T		32,0	30,7	28,9	27,0	26,3	24,8	22,8	21,6	19,2	16,5	
KI 40/120 M *		40,3	39,1	37,2	35,2	34,5	33,0	31,3	30,4	28,5	26,4	23,0

* Model not MEI comply, only for Extra UE market.

MODEL	POWER INPUT 50 Hz	P1 max kW	POWER P2		In A	CAPACITOR		MEI
			kW	Hp		uF	Vc	
KI 30/90 M	1x220-230 V	1,4	0,75	1	6,5	25	450	≥ 0,4
KI 30/120 M	1x220-230 V	1,55	1	1,36	7	25	450	≥ 0,4
KI 30/120 T	3x230 / 400 V	1,45	1	1,36	5 / 2,9	-	-	≥ 0,4
KI 40/120 M *	1x220-230 V	2,2	1,5	2	9,7	40	450	-

* Model not MEI comply, only for Extra UE market.

MODEL	A	B	C	D	E	F	G	H	H1	H2	H3	ø I	DNA	DNM	PACKING DIMENSIONS			GROSS WEIGHT Kg	PALLET Q.TY
															L/A	L/B	H		
KI 30/90 M	214	337	53	143,5	90,5	13	130	232	108	124	-	9	1"1/4 G	1" G	400	240	275	13,4	27
KI 30/120 M	214	337	53	143,5	90,5	13	130	232	108	124	-	9	1"1/4 G	1" G	400	240	275	13,4	27
KI 30/120 T	214	354	53	143,5	90,5	13	130	232	108	124	-	9	1"1/4 G	1" G	400	240	275	13,8	27
KI 40/120 M *	236	432	53	146,5	93,5	13	140	252	120	132	272	9	1"1/4 G	1" G	500	300	315	19,6	18

* Model not MEI comply, only for Extra UE market.

DNA[®]

PUMPS SELECTOR



On-line product selection



DAB PUMPS LTD.

Unit 4 and 5, Stortford Hall Industrial Park,
Dunmow Road,
Bishops Stortford,
Herts
CM23 5GZ - UK
salesuk@dwtgroup.com
Tel. +44 1279 652 776
Fax +44 1279 657 727



DAB PUMPS IBERICA S.L.

Avenida de Castilla nr.1 Local 14
28830 - San Fernando De Henares - Madrid
Spain
info.spain@dwtgroup.com
Tel. +34 91 6569545
Fax: +34 91 6569676



DAB PUMPS INC.

3226 Benchmark Drive
Ladson, SC 29456 - USA
info.usa@dwtgroup.com
Tel. 1-843-824-6332
Toll Free 1-866-896-4DAB (4322)
Fax 1-843-797-3366



DAB PUMPS B.V.

Brusselstraat 150
B-1702 Groot-Bijgaarden - Belgium
info.belgium@dwtgroup.com
Tel. +32 2 4668353
Fax +32 2 4669218



DAB PRODUCTION HUNGARY KFT.

H-8800
Nagykanizsa, Buda Ernő u.5
Hungary
Tel. +36 93501700



DWT SOUTH AFRICA

Podium at Menlyn,
3rd Floor, Unit 3001b, 43 Ingersol Road,
C/O Lois and Atterbury street,
Menlyn, Pretoria, 0181 - South-Africa
info.sa@dwtgroup.com
Tel. +27 12 361 3997
Fax +27 12 361 3137



DAB PUMPS B.V.

Albert Einsteinweg, 4
5151 DL Drunen - Nederland
info.netherlands@dwtgroup.com
Tel. +31 416 387280
Fax +31 416 387299



DAB PUMPS POLAND Sp. z o.o.

Mokotów Marynarska
ul. Postępu 15C
02-676 Warszawa - Poland
polska@dabpumps.com.pl
Tel. +48 223 816 085



DAB PUMPS CHINA

No.40 Kaituo Road, Qingdao Economic & Technological
Development Zone
Qingdao City, Shandong Province - China
PC: 266500
info.china@dwtgroup.com
Tel. +8653286812030-6270
Fax +8653286812210



DAB UKRAINE Representative Office

Regus Horizon Park
4 M. Hrinchenka St, suit 147
03680 Kiev - Ukraine
Tel. +38 044 391 59 43



DAB PUMPEN DEUTSCHLAND GmbH

Tackweg 11
D - 47918 Tönisvorst - Germany
info.germany@dwtgroup.com
Tel. +49 2151 82136-0
Fax +49 2151 82136-36



OOO DAB PUMPS

Novgorodskaya str. 1, block G
office 308, 127247, Moscow - Russia
info.russia@dwtgroup.com
Tel. +7 495 122 0035
Fax +7 495 122 0036



DAB PUMPS DE MÉXICO, S.A. DE C.V.

Av Gral Álvaro Obregón 270, oficina 355
Hipódromo, Cuauhtémoc 06100
México, D.F.
Tel. +52 55 6719 0493