

E.SWIM

ELECTRONIC SWIMMING POOL PUMP





TECHNICAL DATA

Operating range: up to 30 m³/h with head of up to 15,4 metres.

Pumped liquid: clean water, or slightly contaminated water with suspended solid debris, or long fibres; highly aggressive water with high percentage of chlorine/bromine and PHMB (Polyhexamethylene biguanide), or chlorine electrolysis treated water.

PH Range: 6,5-8,4.

Pumped liquid temperature range: up to 40 °C.

Maximum ambient temperature: 50 °C.

Maximum operating pressure: 2.5 bar.

Installation: fixed, horizontal position.

Connectors on request: 2"/50 - 63

(two connectors+O-ring - see "Accessories") kit.

Standard of reference: IEC - 60364.

Protection class of the motor : IP X5.

Protection class at the terminal board: IP X5.

Insulation class: F

Standard voltage: single-phase 230 V - 50/60 Hz.

APPLICATIONS

E.SWIM is the most silent and energy-efficient electronic swimming pool pump with built-in high capacity strainer basket.

E.SWIM combine advanced engineering hydraulics parts, frequency converter technology, and high efficiency permanent magnet motor (with its innovative water cooled motor) to run whatever the speed of the motor is (high or low) in a super silent way.

Extremely quiet and highly reliable, developed for water circulation and filtration in domestic and residential swimming pools.

CONSTRUCTION FEATURES

The **impeller and volute** are designed to achieve high efficiency, improving hydraulics performances.

Transparent antioxidant polycarbonate basket cover ensuring constant visibility over the long period. Fibreglass reinforced technopolymer hydraulics designed to ensure total cover and insulation of the motor shaft from the pumped liquid. Carbon / alumina / NBR / AISI 316 mechanical seal. Butterfly filling and drain plugs that can be removed and refitted without tools.

E.SWIM is provided with synchronous brushless electric **motor** with incapsulated magnetic rotor, driven by frequency converter. Motor water cooled (no motor fan), extremely quiet running. Die cast aluminium motor casing with special coating to avoid oxidation. Support base supplied with rubber feet to reduce vibrations.

E.SWIM pump is controlled by an **electronic device** based on Trench IGBT technology of the latest generation for higher efficiency and robustness. Two dedicated 32-bit processors (one for motor control and one for the user interface), intuitive user interfaces, and external input (a digital input and a analogic input 0-10V or 4-20mA) ensure ease of setting for all users.

Its onboard computer and intelligent software can operate at adjustable **CONSTANT SPEED** or **CONSTANT FLOW** (totally sensorless) to optimize performance and minimize energy use.

Wireless on board ready for communication with DAB connectivity device.

HIGHLIGHTS

- NOISELESS New water cooled motor
- HIGH EFFICIENCY Thanks to the new brushless motor, new hydraulics, new electronic motor control
- DESIGN Modern and compact
- RELIABLE Components designed for long life
- RANGE REDUCTION One model covers the performances of 4 pumps (0,5 HP - 0,75 HP - 1 HP - 1,5 HP)

DISPLAY FEATURES

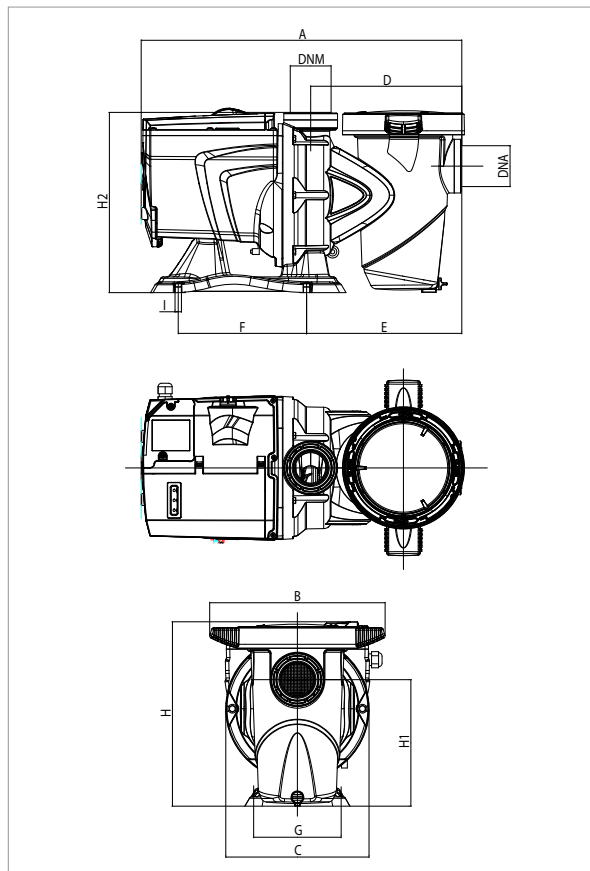
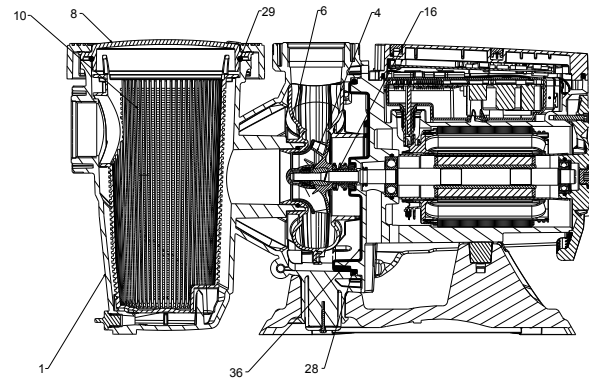
- 4 different keys preset at specific Speed/Flow (1, 2, 3, 4)
- speed/flow keys are adjustable
- On board scheduling with timers
- 'Auto' button enable the automatic operation according to the timer schedule
- 'Quick Clean' button enable high speed operation
- Central keys for menu navigation and settings
- Sequential navigation system
- LEDs for indication of: Warning/Alarm, Power on, Pump Running
- LCD display (2.75" x 1.58") showing run time, mode and current status
- Antifreeze system protection



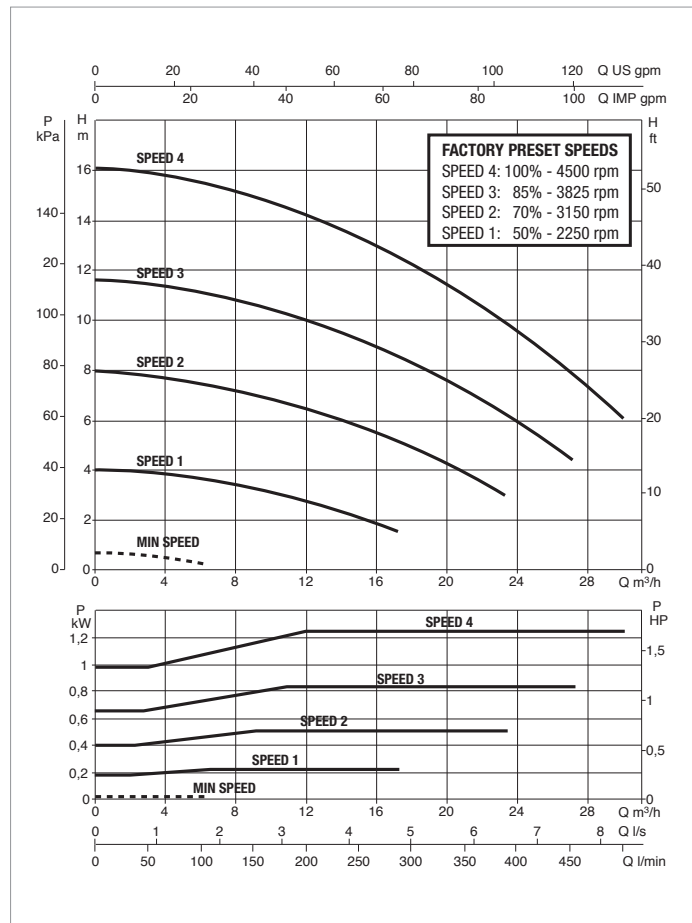
MATERIALS

N.	PARTS*	MATERIALS
1	PUMP BODY	REINFORCED TECHNOPLYMER
4	IMPELLER	REINFORCED TECHNOPLYMER
6	VOLUTE	REINFORCED TECHNOPLYMER
8	STRAINER COVER	POLYCARBONATE
10	STRAINER	TECHNOPOLYMER
16	MECHANICAL SEAL	CARBON/ALUMINA/NBR/AISI316
28	O-RING	NBR
29	O-RING	NBR
36	SEAL HOLDING DISC	EPDM

* In contact with the liquid



The performance curves are based on kinematic viscosity values = 1 mm²/s and density equal to 1000 kg/m³. Curve tolerance according to ISO 9906.



MODEL	Q= m ³ /h	0	6	9	12	15	18	21	24	27	30
	Q=l/min	0	100	150	200	250	300	350	400	450	500
E.SWIM 150 M	H (m)	15,9	15,7	15,2	14,4	13,4	12,2	10,9	9,4	7,9	6,3

MODEL	POWER INPUT 50/60 Hz	P1 MAX W	P2 NOMINAL		In A	NOISE LEVEL - MEDIUM WORKING POSITION db (A)
			KW	HP		
E.SWIM 150 M	230 V	1250	1,1	1,5	5,6	50 dB(A)

MODEL	A	B	C	D	E	F	G	H	H1	H2	I	DNA	DNM	PACKING DIMENSIONS			GROSS WEIGHT kg	Q.TY X PALLET
														L/A	L/B	H		
E.SWIM 150 M	550	300	245	259	266	220	150	316	217	309	11	2"	2"	720	350	430	19	8

DNA[®]

PUMPS SELECTOR



On-line product selection



DAB PUMPS LTD.

Unit 4 and 5, Stortford Hall Industrial Park,
Dunmow Road,
Bishops Stortford,
Herts
CM23 5GZ - UK
salesuk@dwtgroup.com
Tel. +44 1279 652 776
Fax +44 1279 657 727



DAB PUMPS IBERICA S.L.

Avenida de Castilla nr.1 Local 14
28830 - San Fernando De Henares - Madrid
Spain
info.spain@dwtgroup.com
Tel. +34 91 6569545
Fax: +34 91 6569676



DAB PUMPS INC.

3226 Benchmark Drive
Ladson, SC 29456 - USA
info.usa@dwtgroup.com
Tel. 1-843-824-6332
Toll Free 1-866-896-4DAB (4322)
Fax 1-843-797-3366



DAB PUMPS B.V.

Brusselstraat 150
B-1702 Groot-Bijgaarden - Belgium
info.belgium@dwtgroup.com
Tel. +32 2 4668353
Fax +32 2 4669218



DAB PRODUCTION HUNGARY KFT.

H-8800
Nagykanizsa, Buda Ernó u.5
Hungary
Tel. +36 93501700



DWT SOUTH AFRICA

Podium at Menlyn,
3rd Floor, Unit 3001b, 43 Ingersol Road,
C/O Lois and Atterbury street,
Menlyn, Pretoria, 0181 - South-Africa
info.sa@dwtgroup.com
Tel. +27 12 361 3997
Fax +27 12 361 3137



DAB PUMPS B.V.

Albert Einsteinweg, 4
5151 DL Drunen - Nederland
info.netherlands@dwtgroup.com
Tel. +31 416 387280
Fax +31 416 387299



DAB PUMPS POLAND Sp. z o.o.

Mokołów Marynarska
ul. Postępu 15C
02-676 Warszawa - Poland
polska@dabpumps.com.pl
Tel. +48 223 816 085



DAB PUMPS CHINA

No.40 Kaituo Road, Qingdao Economic & Technological
Development Zone
Qingdao City, Shandong Province - China
PC: 266500
info.china@dwtgroup.com
Tel. +8653286812030-6270
Fax +8653286812210



DAB UKRAINE Representative Office

Regus Horizon Park
4 M. Hrinchenka St, suit 147
03680 Kiev - Ukraine
Tel. +38 044 391 59 43



DAB PUMPEN DEUTSCHLAND GmbH

Tackweg 11
D - 47918 Tönisvorst - Germany
info.germany@dwtgroup.com
Tel. +49 2151 82136-0
Fax +49 2151 82136-36



OOO DAB PUMPS

Novgorodskaya str. 1, block G
office 308, 127247, Moscow - Russia
info.russia@dwtgroup.com
Tel. +7 495 122 0035
Fax +7 495 122 0036



DAB PUMPS DE MÉXICO, S.A. DE C.V.

Av Gral Álvaro Obregón 270, oficina 355
Hipódromo, Cuauhtémoc 06100
México, D.F.
Tel. +52 55 6719 0493