



Available with right or left connection to the central heating system.



Armoured copper heating element



Safety thermostat



Insulation Polyurethane



Led control



Outer regulation of temperature



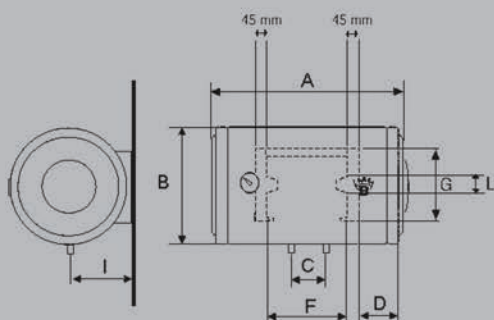
Component Standard ROHS



Total protection against electro-magnetic corrosion using magnesium anode



Inspection flange on 5 years range



Models	A	B	C	D	F	G	I	L
SO 50	510	460	100	155	125	350	240	150
SO 80	700	460	100	145	330	350	240	150
SO 100	805	460	100	145	435	350	240	150
SO 120	1000	460	100	210	510	350	240	150
SO 150	935	550	140	210	450	350	285	150
SO 200	1105	550	140	190	640	350	285	150

MODELS	Power Watts	Volts	Max Pressure bar	Heating Time $\Delta T = 50^\circ C$	Class Insul.	Humidity protection	Packaging mm
SO 50	1200	230	8	170'	I	IPX4	590x480x500
SO 80	1500	230	8	260'	I	IPX4	770x480x500
SO 100	1500	230	8	245'	I	IPX4	890x480x500
SO 120	1500	230	8	315'	I	IPX4	1100x480x500
SO 150	2000	230	8	416'	I	IPX4	1060x570x570
SO 200	2000	230	8	500'	I	IPX4	1260x570x570

Model	Code N°	Bar code	description
<b>2 YEARS GUARANTEE</b>			
SO 50	SE0050C20	8023945 210329	Lt. 50 horizontal electric
SO 80	SE0080C20	8023945 310326	Lt. 80 horizontal electric
SO 100	SE0100C20	8023945 410224	Lt. 100 horizontal electric
SO 120	SE0120C20	8023945 410125	Lt. 120 horizontal electric
SO 150	SE0150C20	8023945 510122	Lt. 150 horizontal electric
SO 200	SE0200C20	8023945 610129	Lt. 200 horizontal electric
<b>3 YEARS GUARANTEE</b>			
SO 50	SE0050C50	8023945 210350	Lt. 50 horizontal electric
SO 80	SE0080C50	8023945 310357	Lt. 80 horizontal electric
SO 100	SE0100C50	8023945 410354	Lt. 100 horizontal electric
SO 120	SE0120C50	8023945 461145	Lt. 120 horizontal electric
SO 150	SE0150C50	8023945 512157	Lt. 150 horizontal electric
SO 200	SE0200C50	8023945 612154	Lt. 200 horizontal electric