



Component Standard
ROHS



Armoured copper
heating element



Total protection against
electro-magnetic
corrosion
using magnesium anode



Safety thermostat



Insulation
Polyurethane



Outer regulation
of temperature



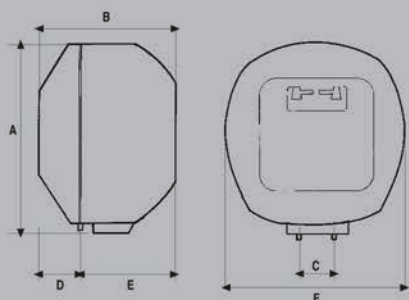
Led control



Security release
valve



Installation
Kit



| Model | A | B | C | D | E | F |
|-------|--------|--------|--------|-------|--------|--------|
| B 30 | mm 535 | mm 325 | mm 100 | mm 12 | mm 205 | mm 460 |

| MODELS | Power Watts | Volts | Max Pressure bar | Heating Time $\Delta T = 50^{\circ}C$ | Class Insul. | Humidity protection | Packaging mm |
|--------|----------------|-------|---------------------|------------------------------------------|-----------------|------------------------|-----------------|
| B 30 | 1500 | 230 | 8 | 75' | I | IPX4 | 560x500x340 |

| Model | Code N° | Bar code | description |
|-------|--------------------------|----------------|-----------------------------|
| | 2 YEARS GUARANTEE | | |
| B30 | SE0030E2V003 | 8023945 101221 | Lt. 30 pvc OUTER REGULATION |
| | 3 YEARS GUARANTEE | | |
| B30 | SE0030E5V003 | 8023945 101252 | Lt. 30 pvc OUTER REGULATION |