

STUART

Jet Boostamatic Pumps

Ideal for the high pressure delivery of clean non-potable water from a water tank/cistern in either a positive or negative head application.

Jet Boostamatic pumps provide fully automatic pressure/flow switch control, will self prime up to 5 metres and are supplied with a power lead fitted with a 13 Amp fused plug.

The range is suitable for general purpose use, pumping cold water.

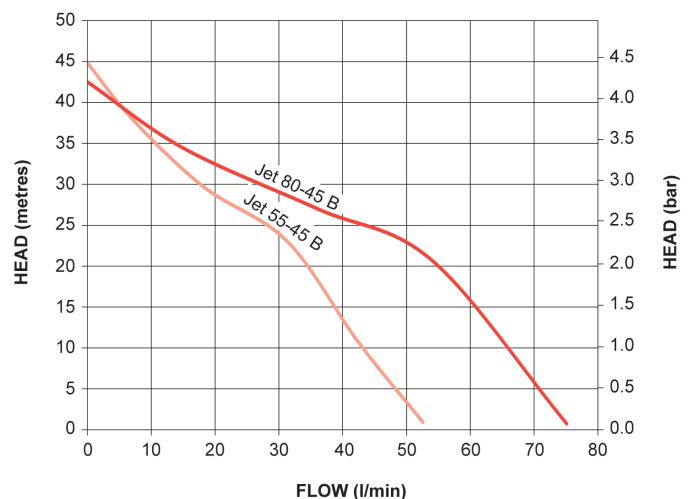


Features

- Centrifugal jet pump
- Flow rates up to 80 litres per minute and heads up to 45 metres
- Automatic pressure and flow switch control
- Continuously rated
- Self priming up to 5 metres (footvalve fitted)
- 1 year guarantee

Application

- Designed for pumping clean non-potable water. The portable Jet pump is ideal for many household and light industrial uses
- Water pressurisation and lawn sprinkler boosting are just two of its many applications

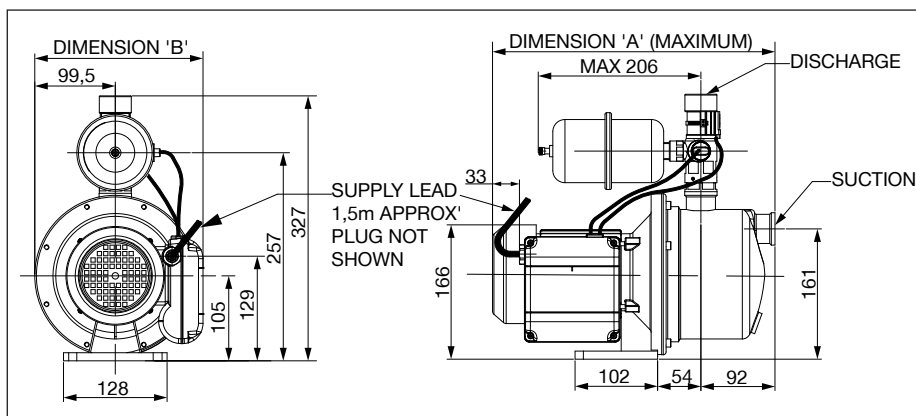


Pump Model		Jet 55-45 B 50 Hz 46619	Jet 80-45 B 50 Hz 46620
General	Guarantee	1 year	
	Approvals	CE	
Features	Pump type	Centrifugal	
	Self priming	✓	✓
	Carry handle	✓	✓
	Integral on/off switch	✓	✓
	Typical noise	68 dB(A)	72 dB(A)
Materials	Pump body	Stainless steel	
	Impeller	Plastic	
	Mechanical seal	EPDM / Carbon / Ceramic	
Performance	Maximum head – closed valve	4.5 bar / 45 metres	4.5 bar / 45 metres
	Performance @ 9 l/min	3.6 bar / 36 metres	3.7 bar / 37 metres
	Performance @ 50 l/min	0.3 bar / 3 metres	2.3 bar / 23 metres
	Maximum flow	55 l/min	80 l/min
	Manimum static inlet pressure	0.1 bar (1 metre)	
	Maximum static inlet pressure	0.5 bar (5 metres)	
	Maximum working pressure*	500 kPa (5 bar)	
	Maximum ambient air temperature	40 °C	
	Min / Max water temperature	Min 4 °C / Max 35 °C	
	Maximum suction lift**	5 metres	
Connections	Pump connections	G 1 female (inlet), G 1 female (outlet)	
Motor	Type	Induction, auto-reset thermal trip	
	Duty rating	Continuous (S1)	
Electrical	Power supply (Vac/Ph/Hz)	230 V a.c. / 1 / 50 Hz	
	Power consumption – P1	640 Watts	925 Watts
	Current – full load	2.9 Amps	5.2 Amps
	Fuse rating	13 Amps	
	Power cable length	1.5 metres (pre-wired)	
Physical	Enclosure protection	IPX4	
	Length	349 mm	376 mm
	Width	209 mm	216 mm
	Height – excluding hoses	327 mm	
	Weight – including fittings	9.8 Kg	12.2 Kg

* The maximum pressure that can be applied to the pump under any installation conditions.

** With footvalve fitted.

Although these pumps are self priming we recommend a footvalve/strainer is used if a suction lift is required.



Pump Description	Dim. 'A'	Dim. 'B'
Jet 55-45 B	349 mm	209 mm
Jet 80-45 B	376 mm	216 mm

Stuart Turner Limited reserves the right to amend specifications without notice.