

STUART

Jet Pressure Sets

Ideal for the high pressure delivery of clean non-potable water from a water tank/cistern in either a positive or negative head application.

Jet Pressure Sets include a 24 litre diaphragm tank providing a buffer of 12 litres of pressurised stored water and are supplied with a power lead fitted with a 13 Amp fused plug.

The range is suitable for general purpose use, pumping cold water.

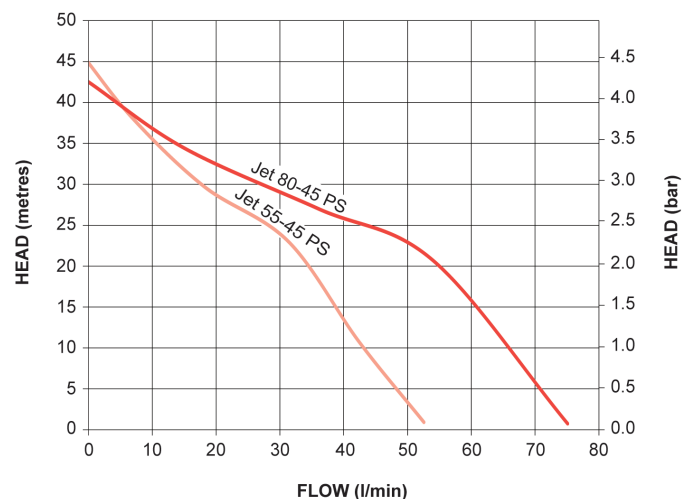


Features

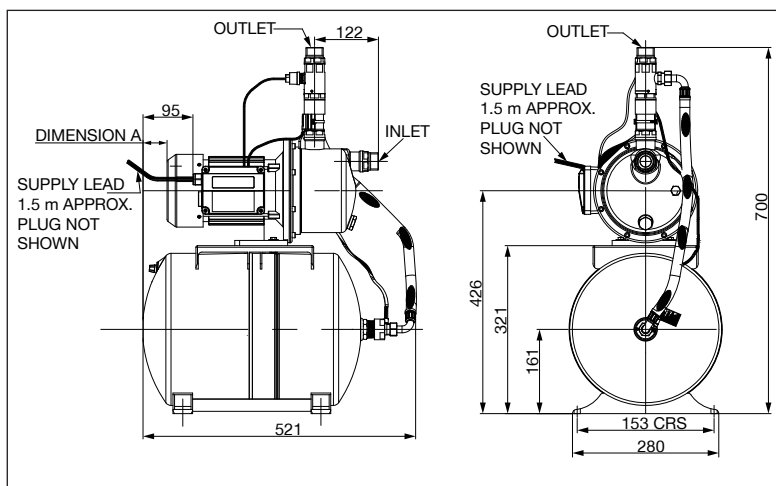
- Centrifugal jet pump
- Flow rates up to 80 litres per minute and heads up to 45 metres
- Fully automatic control
- Continuously rated
- 1 year guarantee

Application

- Designed for pumping clean non-potable water. The portable Jet PS pump is ideal for many household and light industrial uses
- Water pressurisation and lawn sprinkler boosting are just two of its many applications



Pump Model		Jet 55-45 PS 50 Hz 46617	Jet 80-45 PS 50 Hz 46618
General	Guarantee	1 year	
	Approvals	CE	
Features	Pump type	Centrifugal	
	Pump control	Pressure/flow switch	
	Dry run protection	✓	✓
	Diaphragm tank size	24 litres	
	Diaphragm tank capacity	12 litres	
	Built in 'no water' cut out	✓	✓
	Positive and negative head application	✓	✓
	Typical noise	68 dB(A)	72 dB(A)
Materials	Pump body	Stainless steel	
	Impeller	Plastic	
	Mechanical seal	EPDM / Carbon / Ceramic	
Performance	Maximum head - closed valve	4.5 bar / 45 metres	4.5 bar / 45 metres
	Performance @ 9 l/min	3.6 bar / 36 metres	3.7 bar / 37 metres
	Performance @ 50 l/min	0.3 bar / 3 metres	2.3 bar / 23 metres
	Maximum flow	55 l/min	80 l/min
	Minimum static inlet pressure	0.1 bar (1 metre)	
	Maximum static inlet pressure	0.5 bar (5 metres)	
	Maximum static outlet pressure	1.3 bar (13 metres)	
	Maximum working pressure*	500 kPa (5 bar)	
	Maximum ambient air temperature	40 °C	
	Min / Max water temperature	Min 4 °C / Max 35 °C	
	Cut out flow	1 l/min (approx)	
	Cut in pressure	180 kPa (1.8 bar)	
	Pressure vessel air pre-charge	2.0 bar (29 psi)	
	Maximum suction lift	5 metres	
Connections	Pump connections	G 1 female	
Motor	Type	Induction, auto-reset thermal trip	
	Duty rating	Continuous (S1)	
Electrical	Power supply (Vac/Ph/Hz)	230 V a.c. / 1 / 50 Hz	
	Power consumption - P1	640 Watts	925 Watts
	Current - full load	2.9 Amps	5.2 Amps
	Fuse rating	13 Amps	
	Power cable length	1.5 metres (pre-wired)	
Physical	Enclosure protection	IPX4	
	Length	521 mm	
	Width	280 mm	
	Height - excluding hoses	700 mm	
	Weight - including fittings	13.2 Kg	15.7 Kg



* The maximum pressure that can be applied to the pump under any installation conditions.

Pump Description	Dim. 'A'
Jet 55-45 PS	71 mm
Jet 80-45 PS	46 mm

Stuart Turner Limited reserves the right to amend specifications without notice.