

.....

# SPECIFICATION SHEET

COLLECTION: VALA  
PRODUCT CODE: AX-VAL-100/CC-CP



## DESCRIPTION:

mono basin mixer  
single lever  
deck mounted  
smooth bodied  
flow regulated to 4.5 l/min as standard  
with push basin waste  
2 x 1/2" nut x 400mm flexipipe  
connections  
ceramic cartridge W-003-N35  
minimum operating pressure 0.2 bar  
LP

## FINISH:

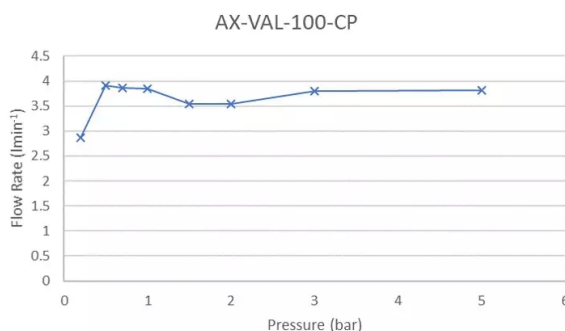
Chrome  
0.2 bar LP

## MINIMUM OPERATING PRESSURE:

0.2 bar LP

## FLOW RATE AT 3.0 BAR FLOW PRESSURE:

3.8 l/min



## CONTACT

SALES: 01934 744466

AFTERSALES: 01934 745163

EMAIL: SALES@VADO.COM

WWW.VADO.COM/AXCES

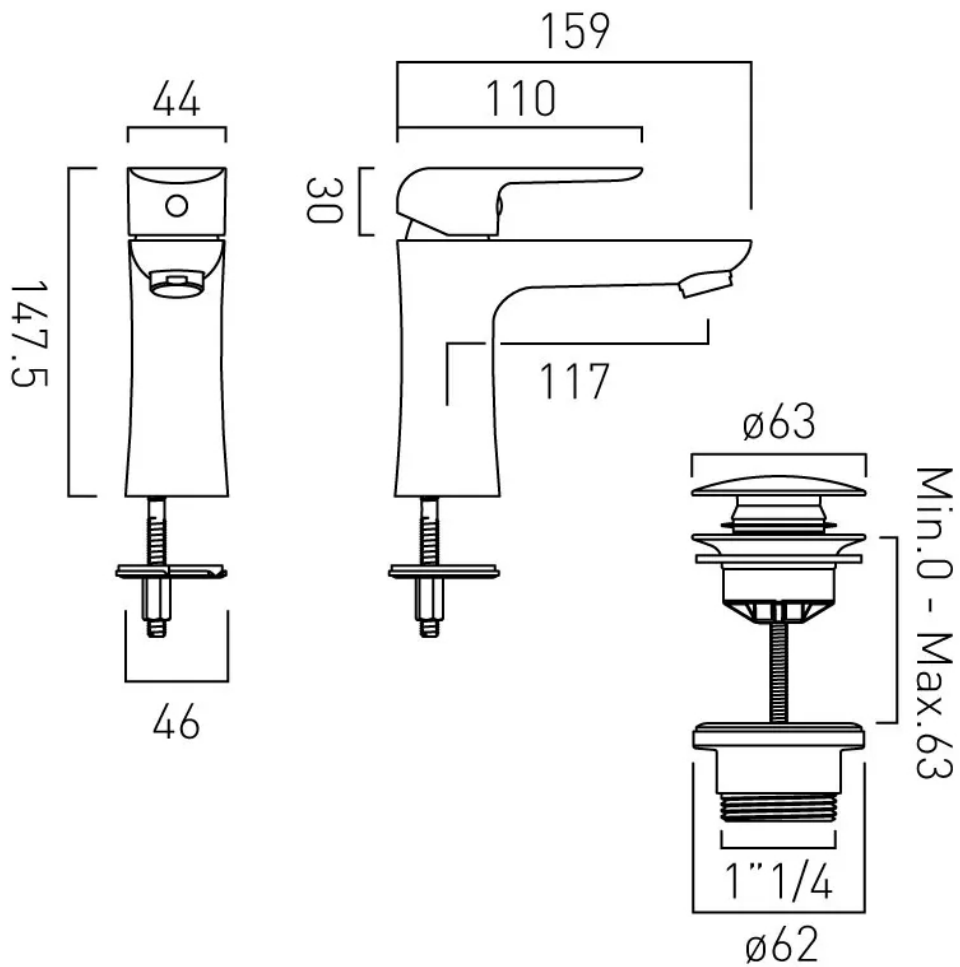
AXCES  
by VADO

.....

# TECHNICAL DRAWING

COLLECTION: VALA

PRODUCT CODE: AX-VAL-100/CC-CP



## CONTACT

SALES: 01934 744466

AFTERSALES: 01934 745163

EMAIL: SALES@VADO.COM

[WWW.VADO.COM/AXCES](http://WWW.VADO.COM/AXCES)

**AXCES**  
by VADO