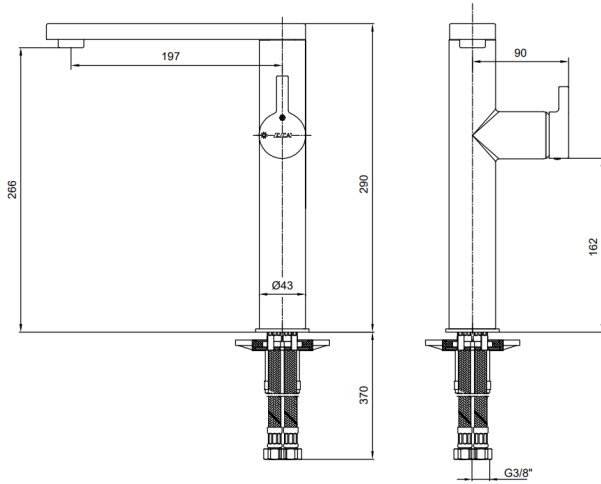


E.C.A. MINA TALL TYPE BASIN MIXER



Product Description

Product Number	102108937HEX
Product Name	Basin Mixer without Waste Set
EAN Barcode	8693261062300

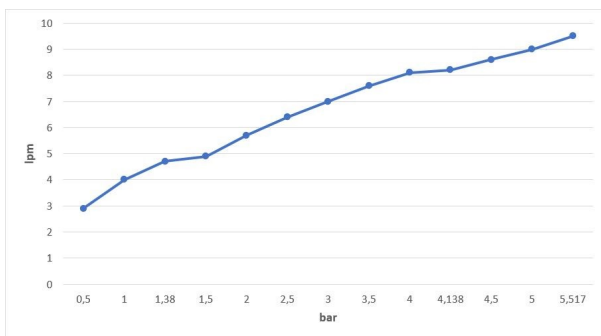
Technical Specification

Aerator	Neoperl SSR HC
Cartridge Type	Ø35 mm Ceramic Cartridge
Min. Water Pressure	0,5 bar
Max. Water Pressure	10 bars
Recommended Water Pressure	3 bars
Nominal Flow Rate @3bars	7 l/m
Inlet Water Temperature	5°C - 65°C
Supply Connection	700 mm G 3/8" Flexible Connection Hoses
Finishing	Chrome with Hygiene Plating
Body Material	Brass

Product Variants

102108937HSTEX	Basin Mixer Water Saving 5 l/m
102108996HEX	Basin Mixer with Metal Pop-Up Waste Set
102108996HEX1	Basin Mixer with Plastic Pop-Up Waste Set
102108937Hxx	xx Localization Product Number

Flow Rate Chart



January 2021

We reserve the right to alter product specification and colors and to make technical modifications without prior notice.

www.ECA.com.tr