

## Technical Data Sheet

Series: **Kube**

Article code: **100CR7515**

Description:

Built-in shower mixer

Materials:

Brass

Surface finish Chrome:

14 micron Nickel

0.3 microm Chrome

Finishings



### Features



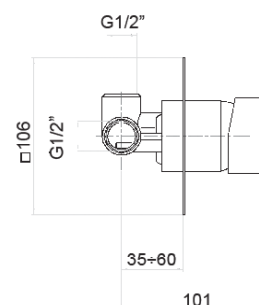
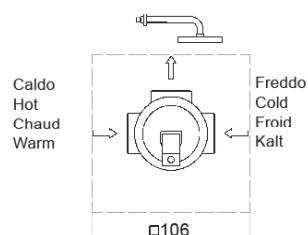
Cartridge diam. 42 mm with 2 ceramic disks, with 25° opening angle, and 90° mixing angle. We use only certified white lubricant into our mixers and cartridges.



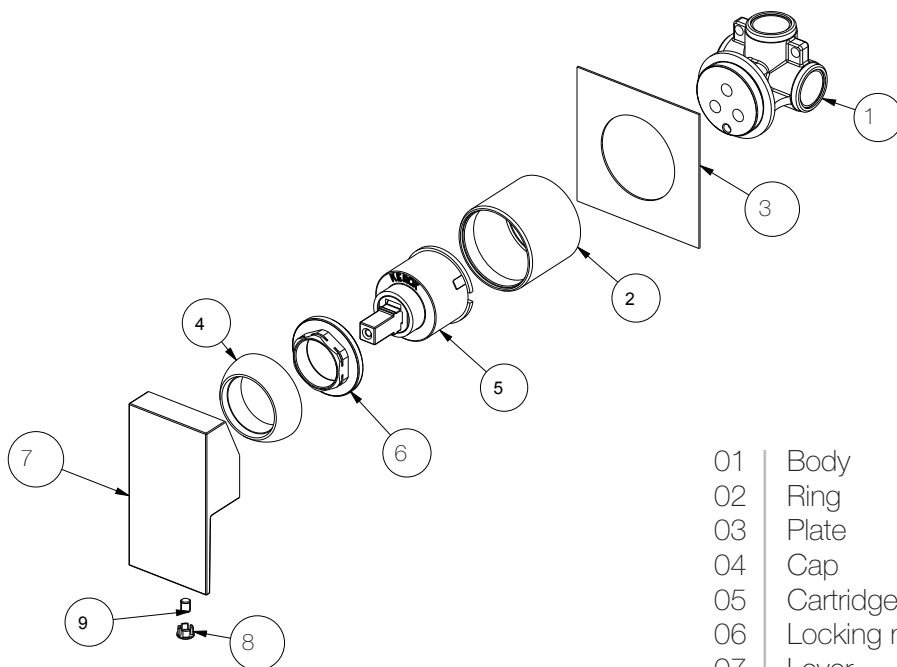
Cast solid brass body  
Brass ½ screwed connection easy to be changed

1 mm stainless steel plate 80x80 mm

Suitable for electrical water heater



## Technical Data Sheet



|    |                |            |
|----|----------------|------------|
| 01 | Body           | Brass      |
| 02 | Ring           | Brass      |
| 03 | Plate          | Steel      |
| 04 | Cap            | Chrome ABS |
| 05 | Cartridge d.42 | /          |
| 06 | Locking nut    | Brass      |
| 07 | Lever          | Zamac      |
| 08 | Plaquette      | Chrome ABS |
| 09 | Screw M5x6     | Steel      |

### Maintenance

Product care also includes regularly cleaning the aerator filter from impurities and/or lime scale. For correct decalcification, disassemble the aerator and place it into diluted vinegar (max concentration: 10% at 20°C) to remove lime scale deposits and/or dirt from the aerator filters. Leave it to soak for a few hours, and then rinse using only water.

### Cleaning recommendation for products and care of finish

**Chrome:** the chrome surfaces can be cleaned with a mild detergent or with neutral soap and water.

**Color finishes:** taps with colored finishes should be cleaned only with a cloth and water.

Never use detergents containing mineral acids (ex. hydrochloric acid), aggressive acids (ex. acetic acid), bases (ex. ammonia) phosphoric acid or other aggressive substances, as they can cause significant damage.



[www.fiore.it/catalogues](http://www.fiore.it/catalogues)