

Technical Data Sheet

Series: **Xenon**

Article code: **44CR5271 02**

Description:

One hole basin mixer, click clack pop up waste,
flex cm 46 x 1/2"F.

Materials:

Brass

Surface finish Chrome:

14 micron Nickel

0.3 microm Chrome

Finishings



CR

AA



Features



Cartridge diam. 35 mm with 2 ceramic disks,
with 25° opening angle, and 90° mixing angle.
We use only certified white lubricant into our
mixers and cartridges.



Aerator Male thread 24 x 1
Flow rate 7 l/min at 3 bar



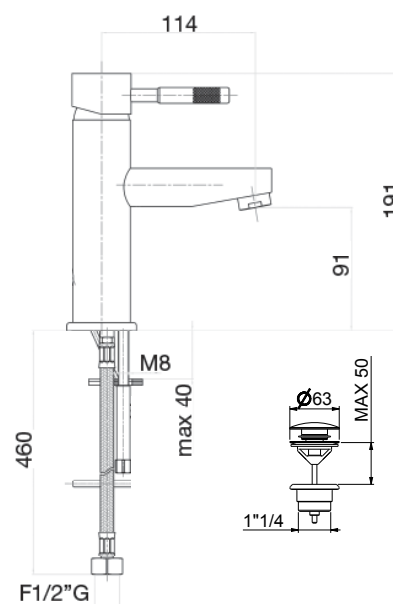
Stainless steel flex hoses cm 46 with 1/2 brass
nut with internal non removable rubber



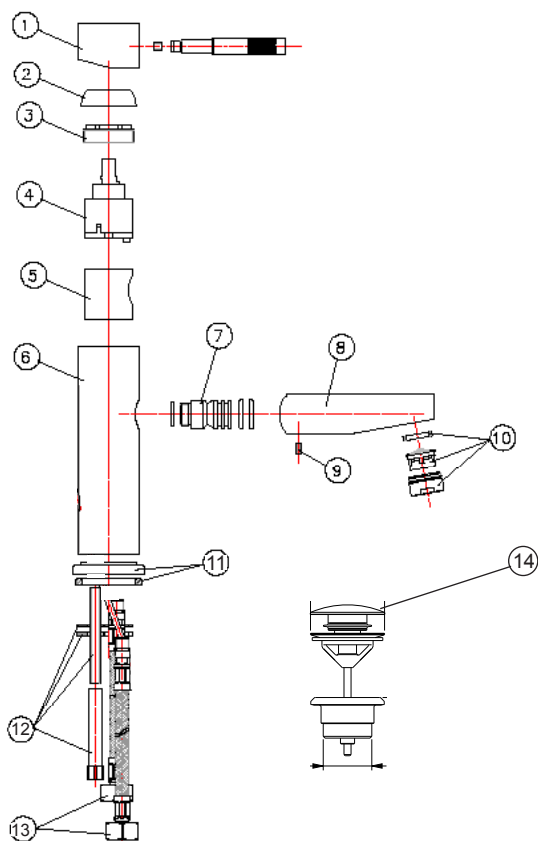
click clack pop up waste



Easy installation with 65 mm brass long fixing screw
Suitable for electrical water heater



Technical Data Sheet



01	Lever	Brass
02	Cap	Chrome ABS
03	Locking nut	Brass
04	Cartridge Ø 35 mm	/
05	Inner body	Brass
06	Body	Brass
07	Connection 3/8	Brass
08	Spout	Brass
09	Screw M5x10	Steel
10	Aerator M24x1	/
11	Base	Brass
12	Fixing set	/
13	Flex 46 cm 1/2"F	/
14	Click clack pop up waste	/

Maintenance

Product care also includes regularly cleaning the aerator filter from impurities and/or lime scale. For correct decalcification, disassemble the aerator and place it into diluted vinegar (max concentration: 10% at 20°C) to remove lime scale deposits and/or dirt from the aerator filters. Leave it to soak for a few hours, and then rinse using only water.

Cleaning recommendation for products and care of finish

Chrome: the chrome surfaces can be cleaned with a mild detergent or with neutral soap and water.

Color finishes: taps with colored finishes should be cleaned only with a cloth and water.

Never use detergents containing mineral acids (ex. hydrochloric acid), aggressive acids (ex. acetic acid), bases (ex. ammonia) phosphoric acid or other aggressive substances, as they can cause significant damage.



www.fiore.it