

## Technical Data Sheet

Series: **Kevon**

Article code: **81CR6519**

Description:

2-way built-in shower mixer with diverter,  
Ø200 mm brass shower head, massage shower with holder,  
flex and intake of water.

Materials:

Brass

Surface finish Chrome:

14 micron Nickel

0.3 microm Chrome

Finishings



CR



### Features



Cartridge diam. 42 mm with 2 ceramic disks,  
with 25° opening angle, and 90° mixing angle.  
We use only certified white lubricant into our  
mixers and cartridges.

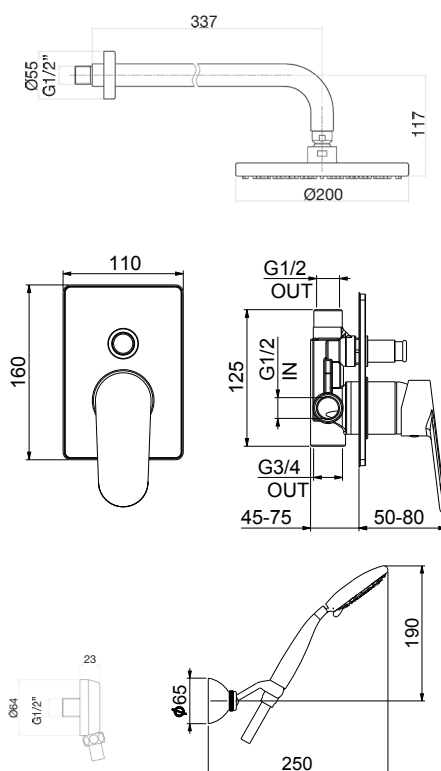


Cast solid brass body  
Brass ½ screwed connection easy to be changed

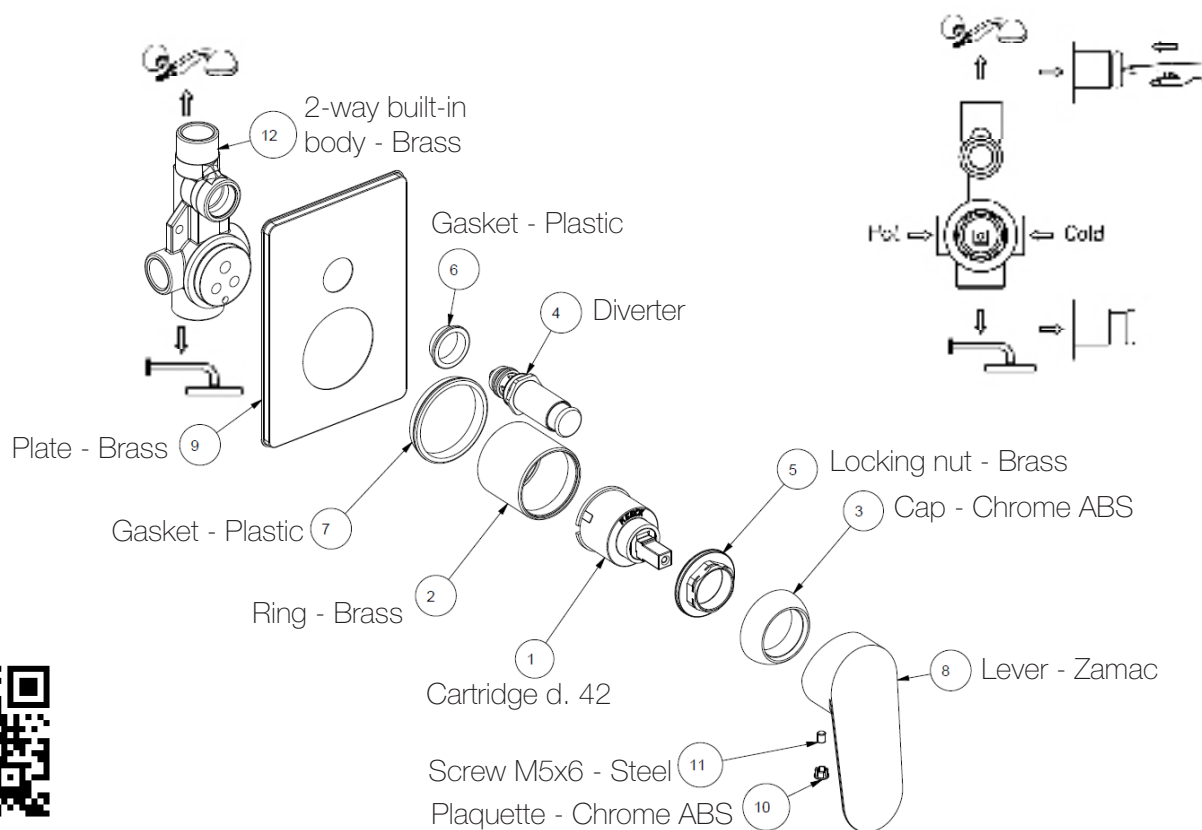
Plate in brass

Brass shower head

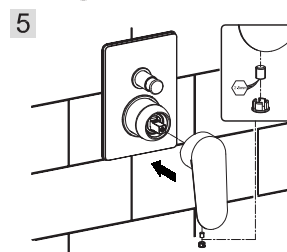
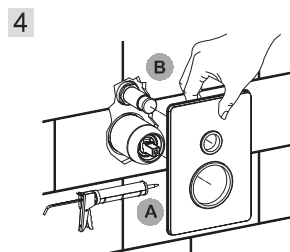
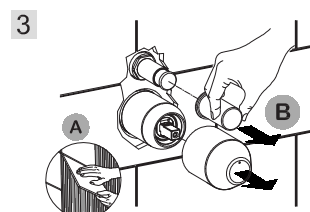
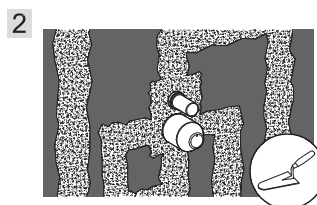
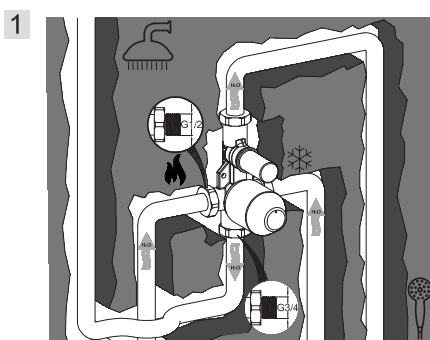
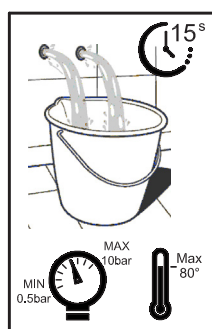
Suitable for electrical water heater



## Technical Data Sheet



www.fiore.it



### Cleaning recommendation for products and care of finish

**Chrome:** the chrome surfaces can be cleaned with a mild detergent or with neutral soap and water.

**Color finishes:** taps with colored finishes should be cleaned only with a cloth and water.

Never use detergents containing mineral acids (ex. hydrochloric acid), aggressive acids (ex. acetic acid), bases (ex. ammonia) phosphoric acid or other aggressive substances, as they can cause significant damage.